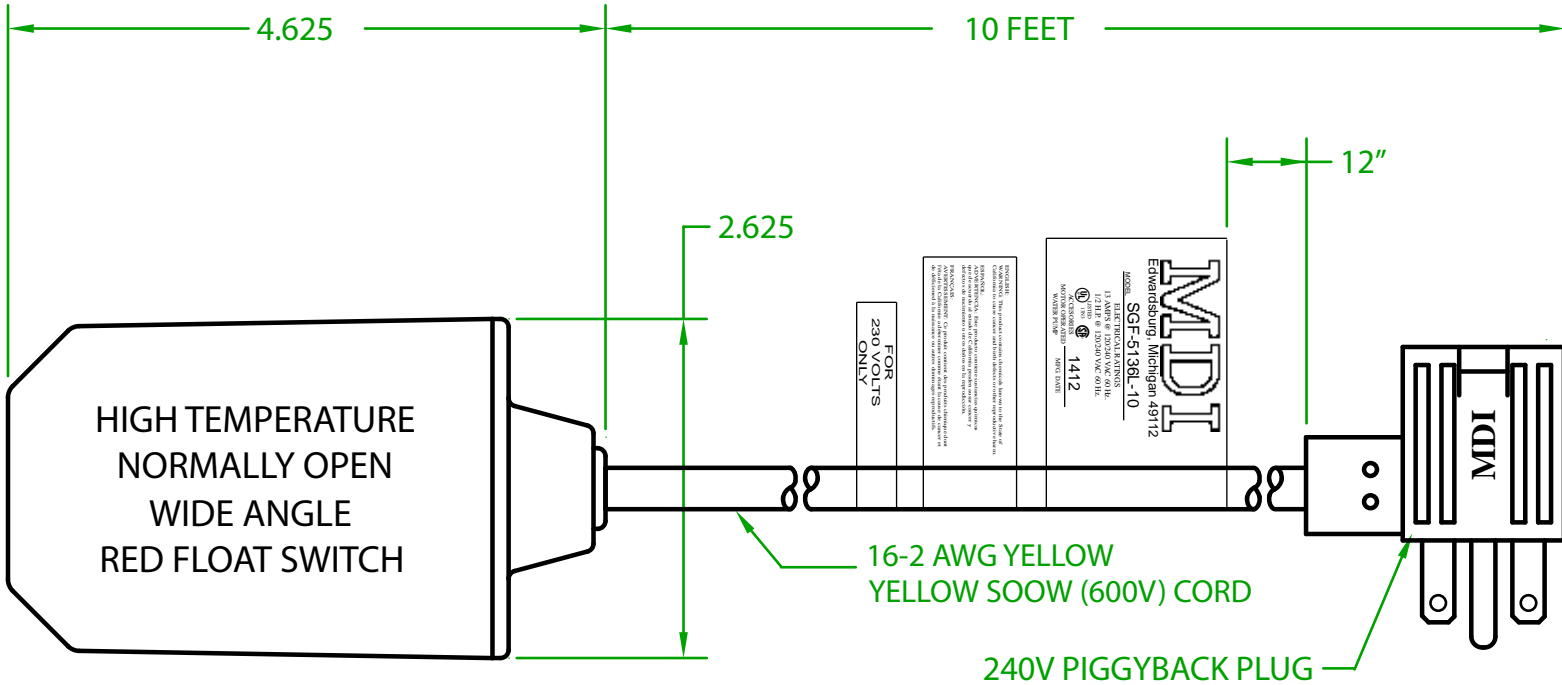




**MERCURY DISPLACEMENT INDUSTRIES, INC.**  
Post Office Box 710 - U.S. 12 East - Edwardsburg, Michigan 49112-0710  
Phone (269) 663-8574 - Fax (269) 663-2924  
(800) 634-4077

# SGF-5136L-10



OPERATING ANGLE 90°: CONTACTS CLOSE @ 45° ABOVE HORIZONTAL.  
CONTACTS OPEN @ 45° BELOW HORIZONTAL.

ELECTRICAL RATINGS: 1/2 H.P. 13 AMPS @ 120/240 VAC. 58.8 LRA

FLOAT MATERIAL: A.B.S.

TEMPERATURE RATING: 180°F/82°C

J.J.S. March 19, 2014

Contactors - Relays - Switches

<http://www.mdius.com>