



MERCURY DISPLACEMENT INDUSTRIES, INC.

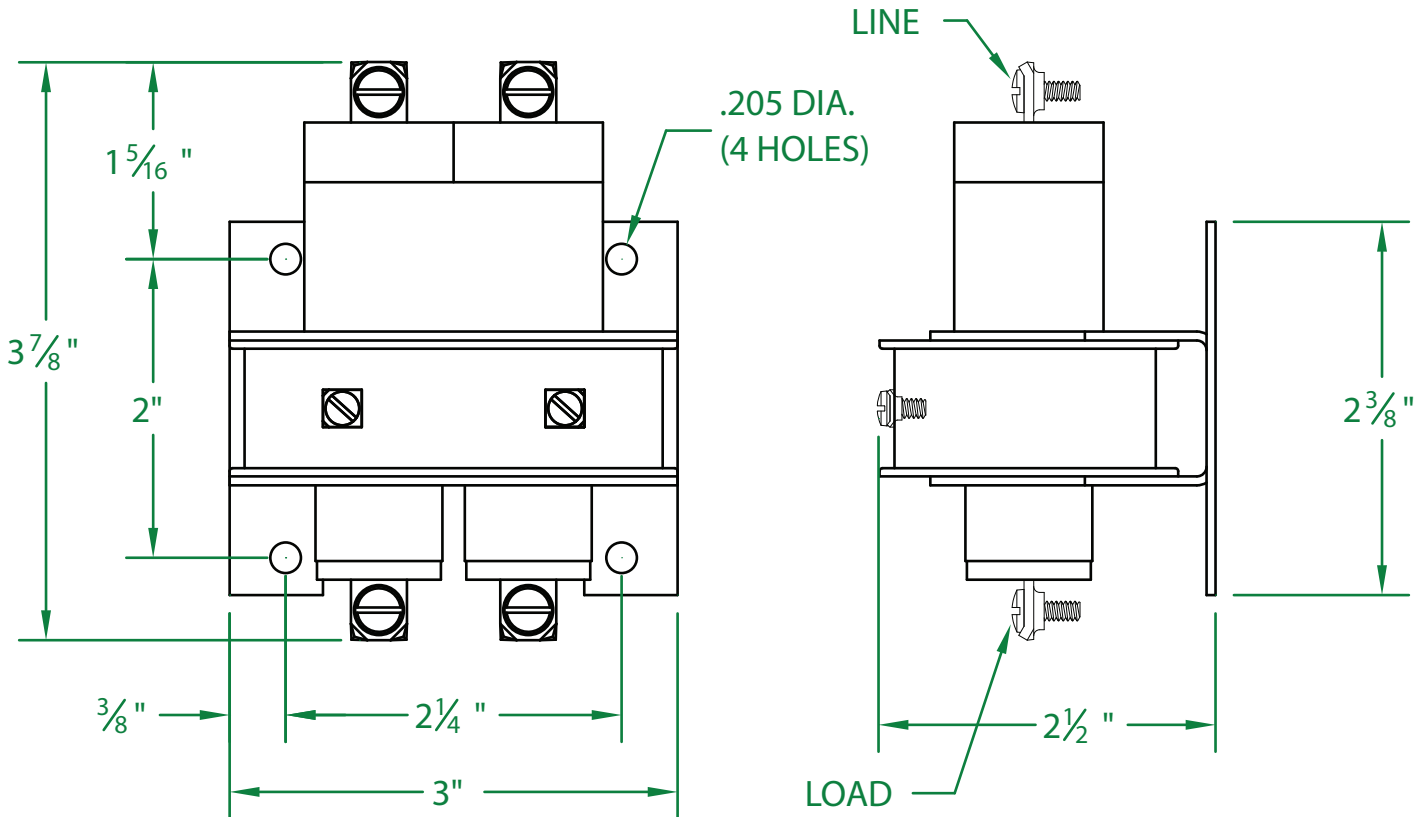
Post Office Box 710 - U.S. 12 East - Edwardsburg, Michigan 49112-0710

Phone (269) 663-8574 - Fax (269) 663-2924

(800) 634-4077



230NO-24AH



- * CONTACT RESISTANCE .003 ohms
- * DIELECTRIC WITHSTAND 2,500 VAC RMS
- * OPERATE TIME 50 MILLISECONDS
- * RELEASE TIME 80 MILLISECONDS
- * RATINGS:
 - CONTACTS: 30 AMP @ 480 VAC
 - RESISTIVE OR GENERAL PURPOSE
 - COIL: 24V 50/60 Hz
 - RESISTANCE: 12.5 Ω
 - CURRENT: 610 mA
 - VA: 14.6 WATTAGE: 4.7

- * TEMPERATURE RANGE -35° TO +85° C
- * COIL TERMINALS #6 BINDING HEAD SCREWS
- * LOAD TERMINALS #8 BINDING HEAD SCREWS
- * TWO POLE / SINGLE THROW
- * MAGNETICALLY ACTIVATED
- * MERCURY CONTACTOR

* LIFE CYCLE ENDURANCE TESTS: U.L. 508 @ 100,00 & CSA 22.2 @ 250,000 CYCLES

Contactors - Relays - Switches