



# MERCURY DISPLACEMENT INDUSTRIES, INC.

Post Office Box 710 - U.S. 12 East - Edwardsburg, Michigan 49112-0710

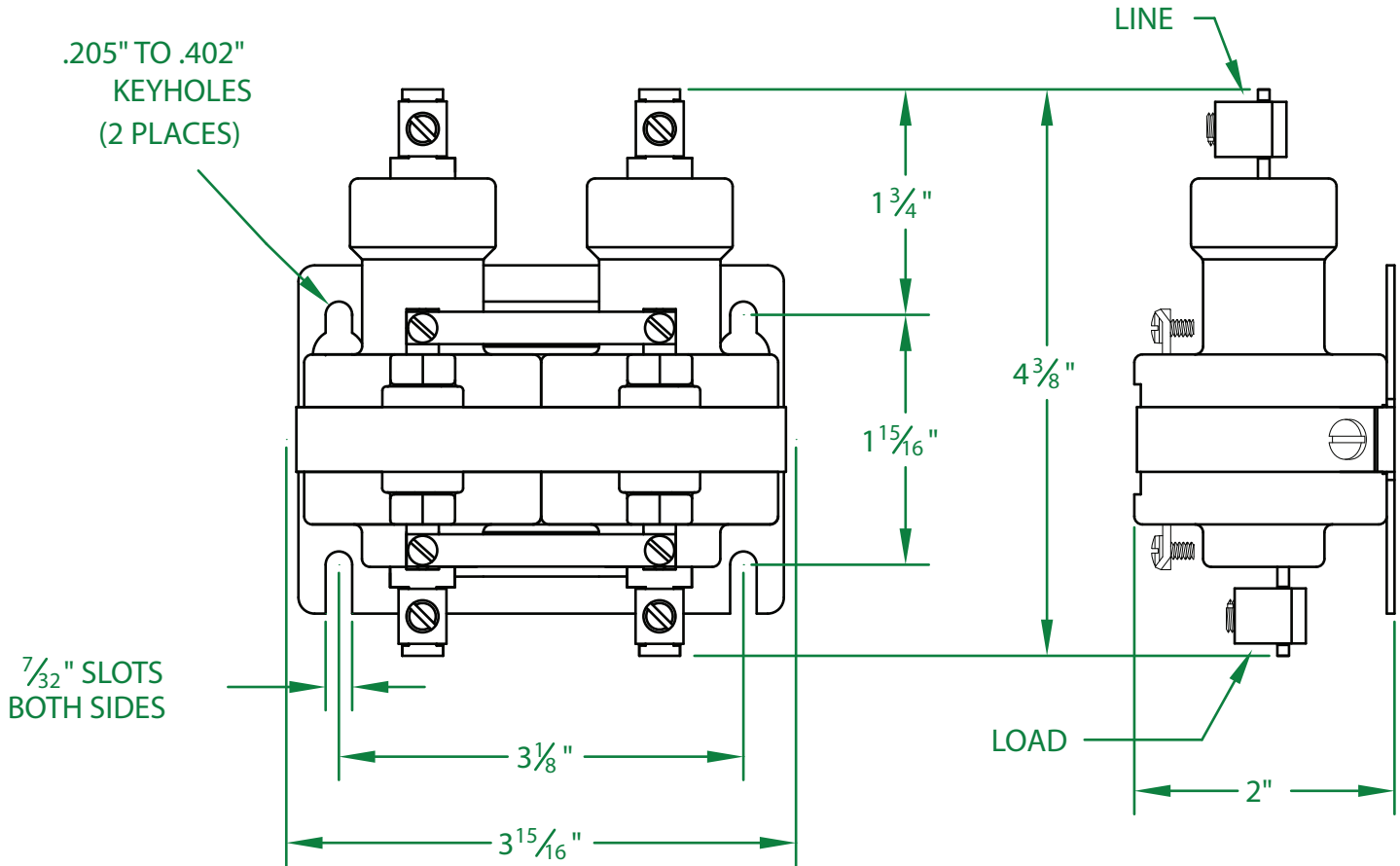
Phone (269) 663-8574 - Fax (269) 663-2924

(800) 634-4077



INDUSTRIAL CONTROL EQUIPMENT

## 235NO-120AH-18



\* CONTACT RESISTANCE .003 ohms

\* DIELECTRIC WITHSTAND 2,500 VAC RMS

\* OPERATE TIME 50 MILLISECONDS

\* RELEASE TIME 80 MILLISECONDS

\* RATINGS:

CONTACTS: 35 AMP @ 480 VAC  
RESISTIVE OR GENERAL PURPOSE

COIL: 120V 50/60 Hz

RESISTANCE: 625  $\Omega$

CURRENT: 106 mA

VA: 12.8 WATTAGE: 7.0

\* TEMPERATURE RANGE  $-35^{\circ}$  TO  $+85^{\circ}$  C

\* COIL TERMINALS #6 BINDING HEAD SCREWS  
TORQUE TO 7 IN-LB

\* LOAD TERMINALS 4-14 AWG COMPRESSION TYPE  
TORQUE TO 31.5 IN-LB

\* TWO POLE / SINGLE THROW

\* STEEL STRAP (-18)

\* MAGNETICALLY ACTIVATED

\* MERCURY CONTACTOR

\* LIFE CYCLE ENDURANCE TESTS: U.L. 508 @ 100,00 & CSA 22.2 @ 250,000 CYCLES

Contactors - Relays - Switches

<http://www.mdius.com>