



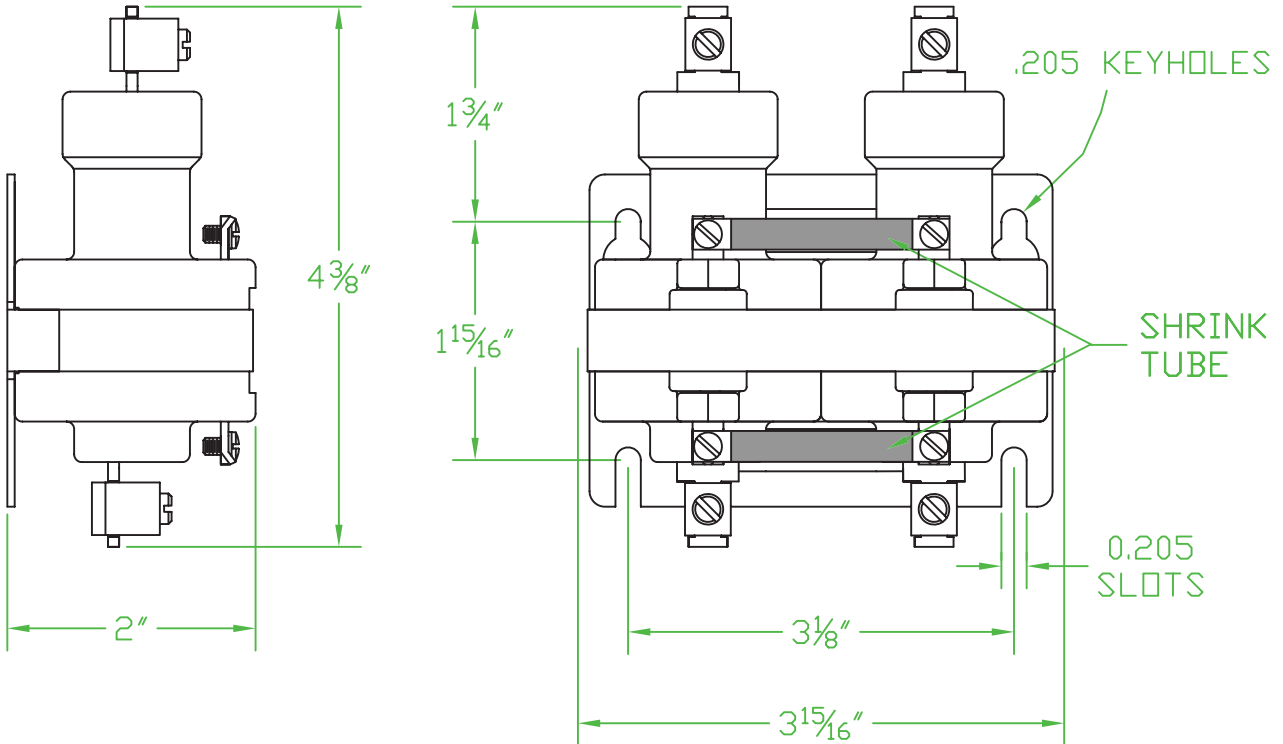
MERCURY DISPLACEMENT INDUSTRIES, INC.

Post Office Box 710 - U.S. 12 East - Edwardsburg, Michigan 49112-0710

Phone (269) 663-8574 - Fax (269) 663-2924

(800) 634-4077

235NO-12DHCS-18



* CONTACT RESISTANCE .003 ohms

* DIELECTRIC WITHSTAND 2,500 VAC RMS

* OPERATE TIME 50 MILLISECONDS

* RELEASE TIME 80 MILLISECONDS

* RATINGS: CONTACTS: 35 AMP @ 480 VAC

RESISTIVE

COIL: 12V 50/60 Hz

CURRENT: 333 mA

RESISTANCE: 36 Ω

VA: 4.0 WATTAGE: 4.0

* TEMPERATURE RANGE -35° TO +85° C

* COIL TERMINALS #6 BINDING HEAD SCREWS
TORQUE TO 7 IN-LB

* LOAD TERMINALS 4-14 A.W.G. COMPRESSION
TYPE TORQUE TO 31.5 IN-LB

* TWO POLE / SINGLE THROW

* MAGNETICALLY ACTIVATED

* MERCURY CONTACTOR

J.J.S. 03-10-2015

* LIFE CYCLE ENDURANCE TESTS: U.L. 508 @ 100,00 & CSA 22.2 @ 250,000 CYCLES

Contactors - Relays - Switches



<http://www.mdius.com>

INDUSTRIAL CONTROL EQUIPMENT