



MERCURY DISPLACEMENT INDUSTRIES, INC.

Post Office Box 710 - U.S. 12 East - Edwardsburg, Michigan 49112-0710

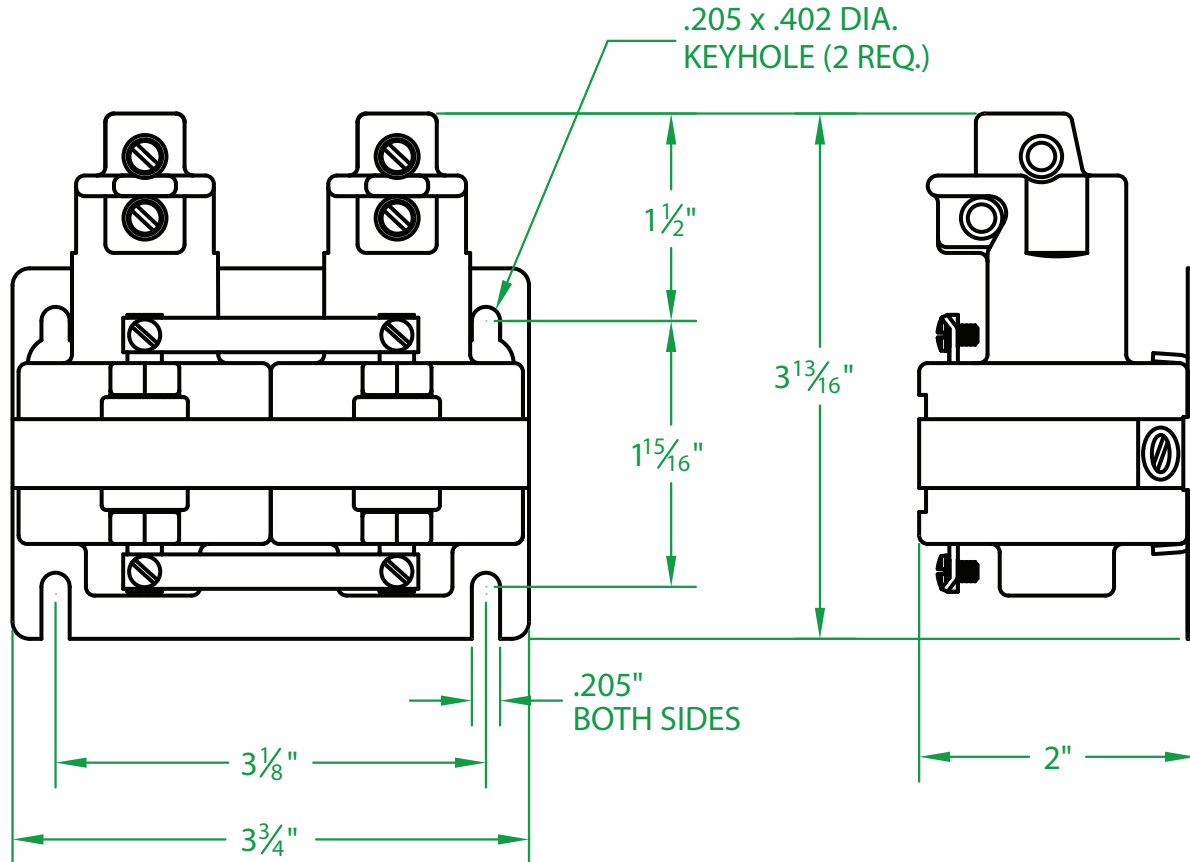
Phone (269) 663-8574 - Fax (269) 663-2924

(800) 634-4077



INDUSTRIAL CONTROL EQUIPMENT

235NO-220AT-18



- * CONTACT RESISTANCE .003 ohms
- * DIELECTRIC WITHSTAND 2,500 VAC RMS
- * OPERATE TIME 50 MILLISECONDS
- * RELEASE TIME 80 MILLISECONDS
- * RATINGS:
 CONTACTS: 35 AMP @ 600 VAC RESISTIVE
 COIL: 208/240V 50/60 Hz
 RESISTANCE: 2,400 Ω
 CURRENT: 56 mA
 VA: 12.4 WATTAGE: 7.6
- * TEMPERATURE RANGE -35° TO $+85^{\circ}$ C
- * COIL TERMINALS #6 BINDING HEAD SCREWS TORQUE TO 7 IN-LB
- * LOAD TERMINALS 6-14 AWG
- * TWO POLE / SINGLE THROW
- * STEEL STRAP (-18)
- * MAGNETICALLY ACTIVATED
- * MERCURY CONTACTOR

* LIFE CYCLE ENDURANCE TESTS: U.L. 508 @ 100,00 & CSA 22.2 @ 250,000 CYCLES

Contactors - Relays - Switches