



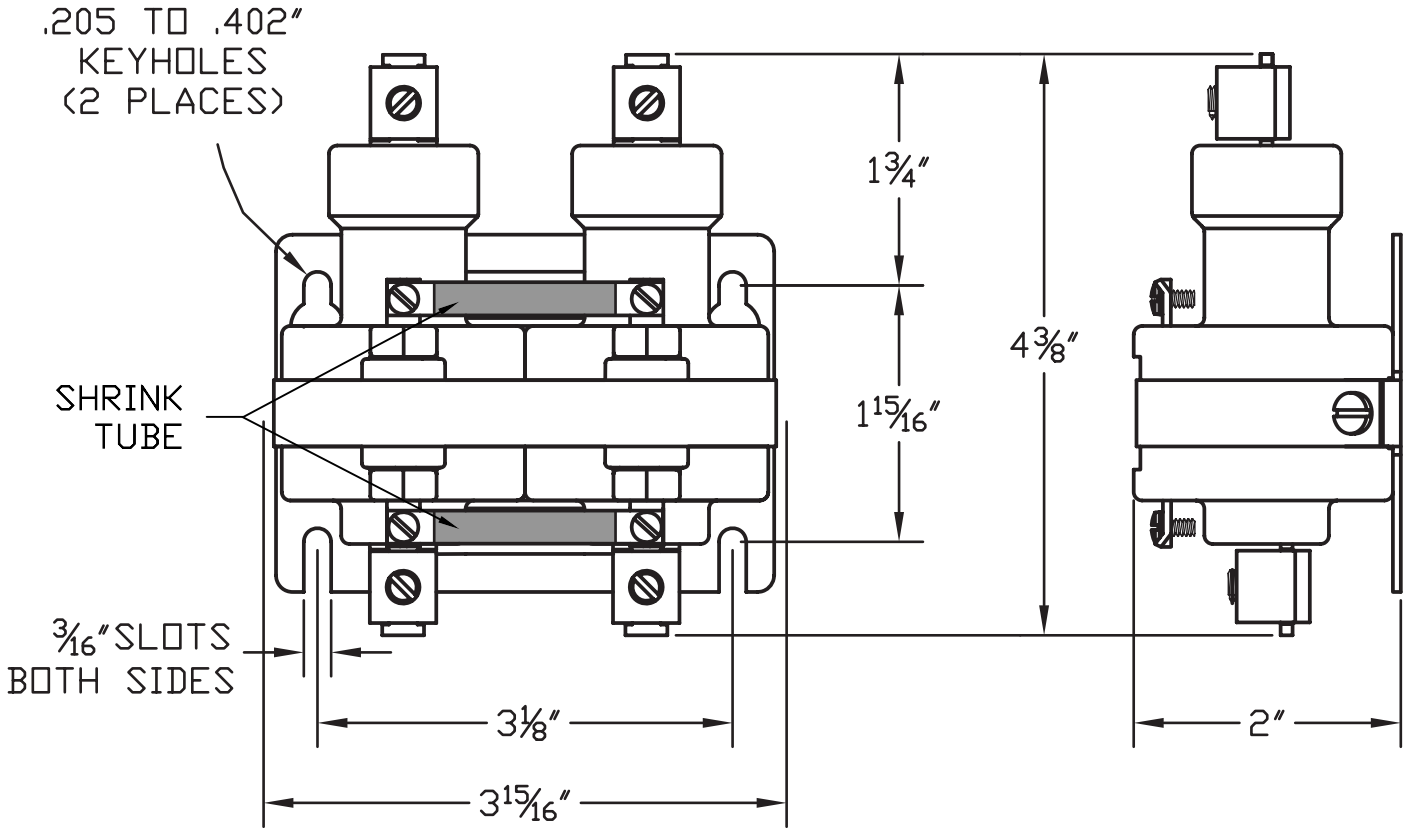
# MERCURY DISPLACEMENT INDUSTRIES, INC.

Post Office Box 710 - U.S. 12 East - Edwardsburg, Michigan 49112-0710

Phone (269) 663-8574 - Fax (269) 663-2924

(800) 634-4077

## 260NO-120ACS-18



\* CONTACT RESISTANCE .002 ohms

\* DIELECTRIC WITHSTAND 2,500 VAC RMS

\* OPERATE TIME 50 MILLISECONDS

\* RELEASE TIME 80 MILLISECONDS

\* RATINGS:

CONTACTS: 60 AMPS @ 480 VAC RES.  
48 AMPS @ 600 VAC RES.

COIL: 120V 5/60 Hz

CURRENT: 96 mA

RESISTANCE: 625  $\Omega$

VA: 11.6 WATTAGE: 5.8

\* TEMPERATURE RANGE -35° TO +85° C

\* COIL TERMINALS #6 BINDING HEAD SCREWS  
TORQUE TO 7 IN-LB

\* LOAD TERMINALS 2-8 A.W.G. COMPRESSION  
TYPE TORQUE TO 45 IN-LB

\* 2 POLE / SINGLE THROW

\* MAGNETICALLY ACTIVATED

\* MERCURY CONTACTOR



INDUSTRIAL CONTROL EQUIPMENT

\* LIFE CYCLE ENDURANCE TESTS: U.L. 508 @ 100,00 & CSA 22.2 @ 250,000 CYCLES

Contactors - Relays - Switches

J.J.S. 03-10-2015

<http://www.mdus.com>