



MERCURY DISPLACEMENT INDUSTRIES, INC.

Post Office Box 710 - U.S. 12 East - Edwardsburg, Michigan 49112-0710

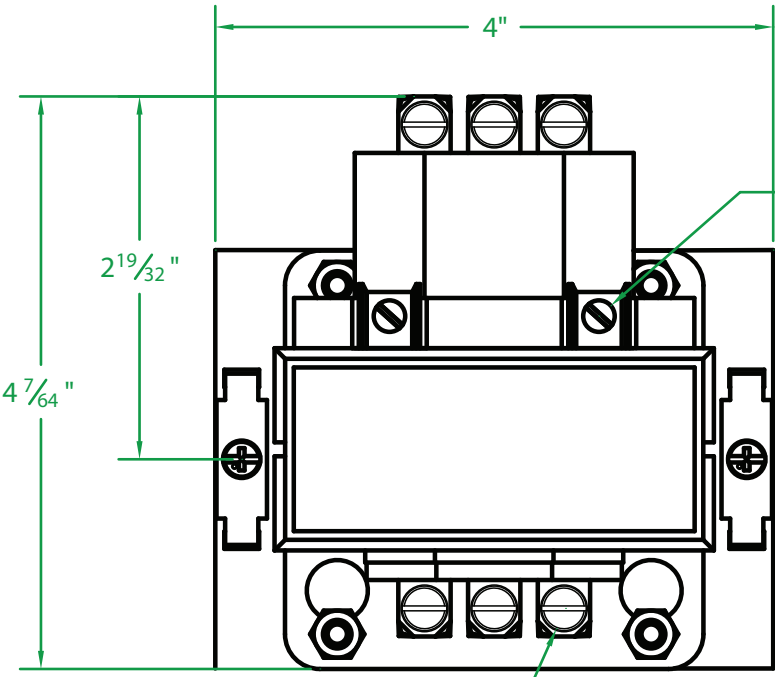
Phone (269) 663-8574 - Fax (269) 663-2924

(800) 634-4077



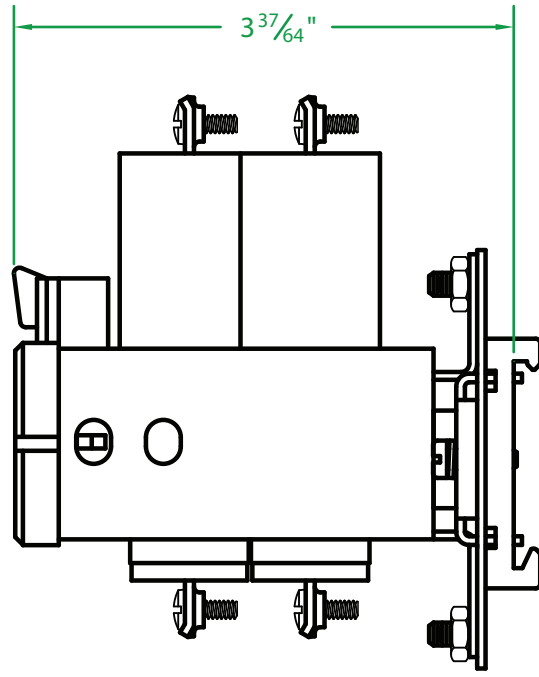
330NO-220A-17

INDUSTRIAL CONTROL EQUIPMENT



6-32 COIL SCREWS (2 PLACES)

8-32 LOAD SCREWS (6 PLACES)



* CONTACT RESISTANCE .003 ohms

* DIELECTRIC WITHSTAND 2,500 VAC RMS

* OPERATE TIME 50 MILLISECONDS

* RELEASE TIME 80 MILLISECONDS

* RATINGS:
CONTACTS: 30 AMPS @ 600 VAC RES.

COIL: 208-240V 50/60 Hz
CURRENT: 86mA
RESISTANCE: 728Ω
VA: 18.9 WATTAGE: 5.5

* TEMPERATURE RANGE -35° TO +85° C

* COIL TERMINALS #6 BINDING HEAD SCREWS
TORQUE TO 7 IN-LB

* LOAD TERMINALS #8 BINDING HEAD SCREWS

* 3 POLE / SINGLE THROW

* MAGNETICALLY ACTIVATED

* MERCURY CONTACTOR

* LIFE CYCLE ENDURANCE TESTS: U.L. 508 @ 100,00 & CSA 22.2 @ 250,000 CYCLES

Contactors - Relays - Switches

JJS September 10, 2015

<http://www.mdious.com>