



MERCURY DISPLACEMENT INDUSTRIES, INC.

Post Office Box 710 - U.S. 12 East - Edwardsburg, Michigan 49112-0710

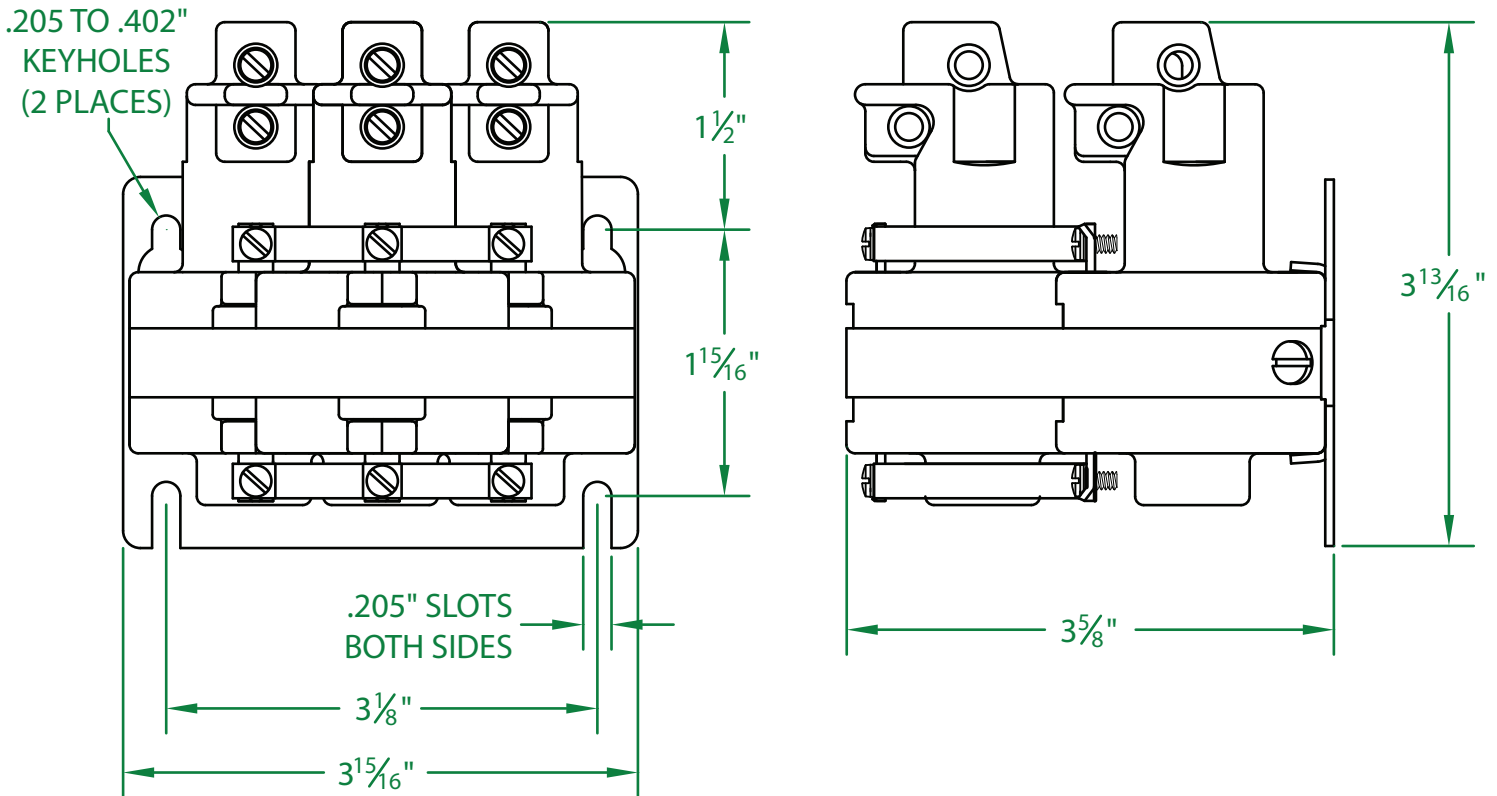
Phone (269) 663-8574 - Fax (269) 663-2924

(800) 634-4077



INDUSTRIAL CONTROL EQUIPMENT

335NO-250DT-18



- * CONTACT RESISTANCE .003 ohms
- * DIELECTRIC WITHSTAND 2,500 VAC RMS
- * OPERATE TIME 50 MILLISECONDS
- * RELEASE TIME 80 MILLISECONDS
- * RATINGS:
 - CONTACTS: 35 AMP @ 600 VAC RESISTIVE
 - COIL: 250 V.D.C.
 - RESISTANCE: 4,1933 Ω
 - CURRENT: 51 mA
 - VA: 12.6 WATTAGE: 12.6

- * TEMPERATURE RANGE -35° TO +85° C
- * COIL TERMINALS #6 BINDING HEAD SCREWS TORQUE TO 7 IN-LB
- * LOAD TERMINALS 6-14 AWG
- * THREE POLE / SINGLE THROW
- * STEEL STRAP (-18)
- * MAGNETICALLY ACTIVATED
- * MERCURY CONTACTOR

* LIFE CYCLE ENDURANCE TESTS: U.L. 508 @ 100,00 & CSA 22.2 @ 250,000 CYCLES

Contactors - Relays - Switches