



MERCURY DISPLACEMENT INDUSTRIES, INC.

Post Office Box 710 - U.S. 12 East - Edwardsburg, Michigan 49112-0710

Phone (269) 663-8574 - Fax (269) 663-2924

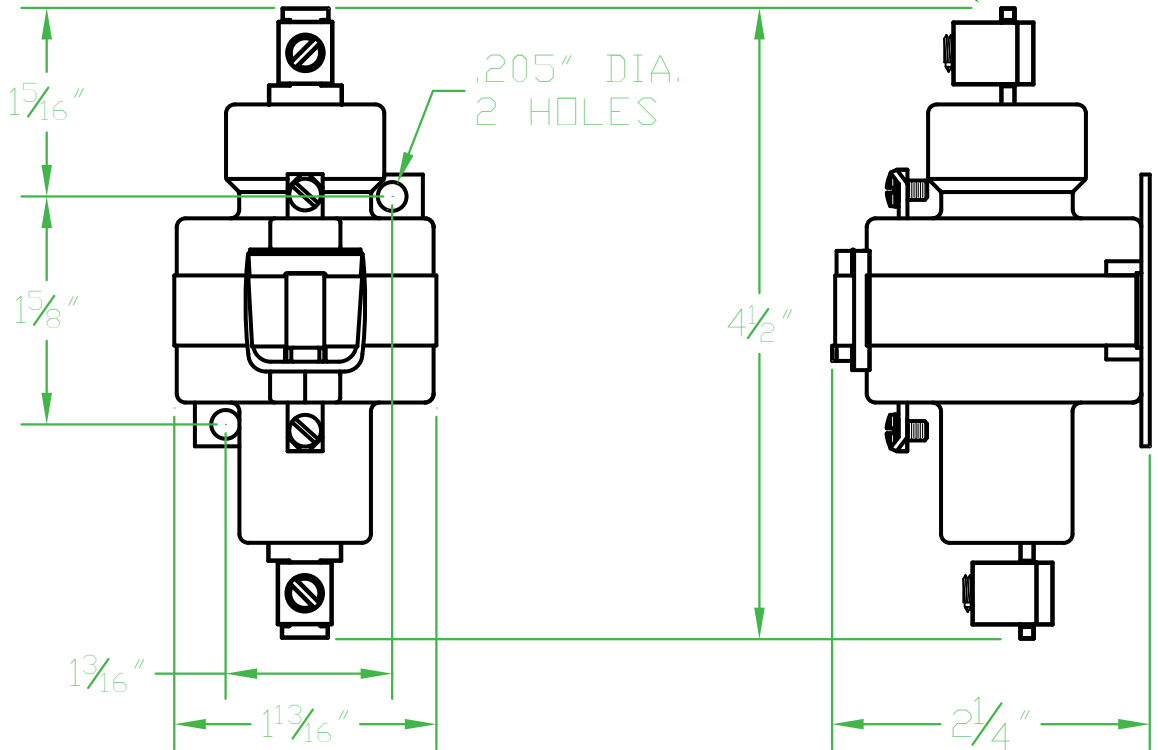
(800) 634-4077

35NC-277A

LOAD CONNECTORS: #4 TO #14 AWG

 939S LISTED
INDUSTRIAL CONTROL EQUIPMENT

 LR 41198 CERTIFIED



* CONTACT RESISTANCE .003 ohms

* DIELECTRIC WITHSTAND 2,500 VAC RMS

* OPERATE TIME 50 MILLISECONDS

* RELEASE TIME 80 MILLISECONDS

* RATINGS:

CONTACTS: 35 AMP @ 480 VAC
RESISTIVE OR GEN. PURPOSE
COIL: 277V 50/60 Hz
RESISTANCE: 5,100 Ω

* TEMPERATURE RANGE -35° TO $+85^{\circ}$ C

* COIL TERMINALS #6 BINDING HEAD SCREWS
TORQUE TO 7 IN-LB

* LOAD TERMINALS 4-14 A.W.G. COMPRESSION
TYPE TORQUE TO 31.5 IN-LB

* SINGLE POLE / SINGLE THROW

* MAGNETICALLY ACTIVATED

* MERCURY CONTACTOR

* LIFE CYCLE ENDURANCE TESTS: U.L. 508 @ 100,00 & CSA 22.2 @ 250,000 CYCLES