



MERCURY DISPLACEMENT INDUSTRIES, INC.

Post Office Box 710 - U.S. 12 East - Edwardsburg, Michigan 49112-0710

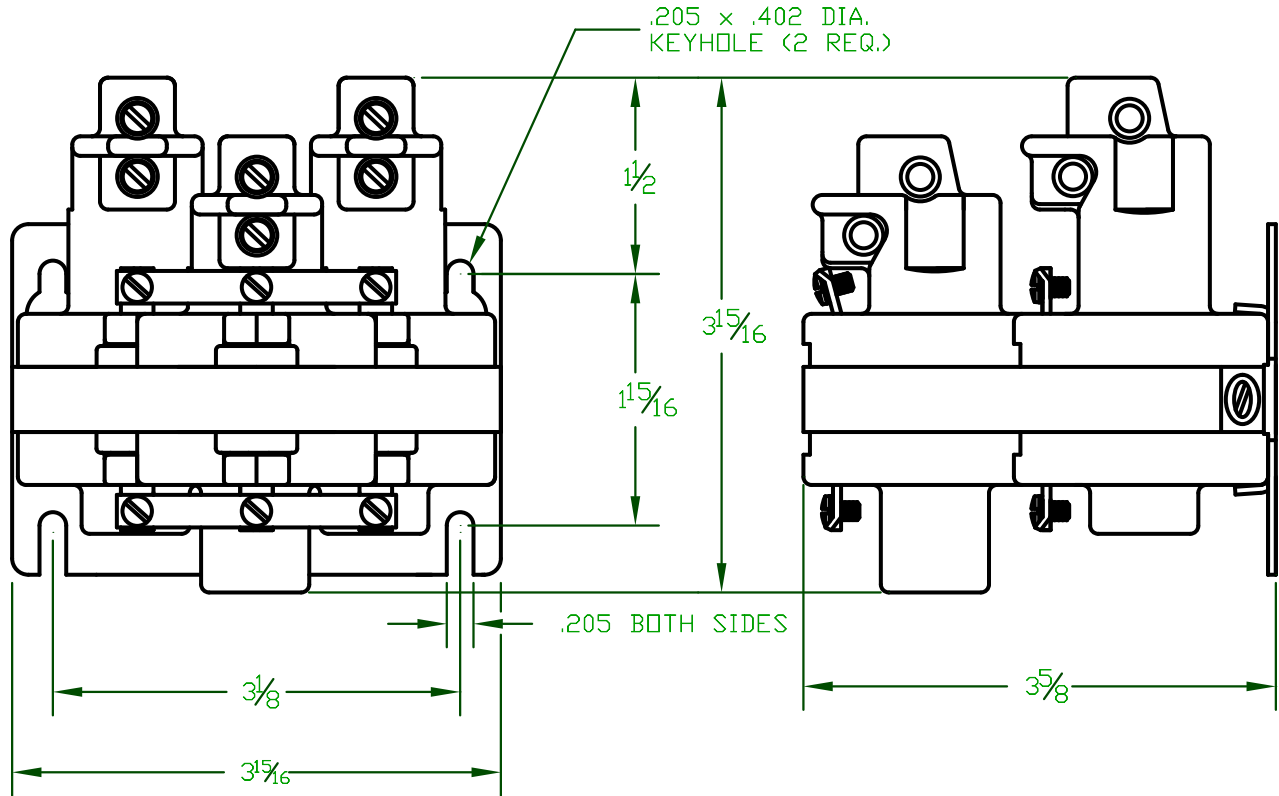
Phone (269) 663-8574 - Fax (269) 663-2924

(800) 634-4077



INDUSTRIAL CONTROL EQUIPMENT

35NOOC-120ATH-18



- * CONTACT RESISTANCE .003 ohms
- * DIELECTRIC WITHSTAND 2,500 VAC RMS
- * OPERATE TIME N.O. POLE 50 MILLISECONDS
N.C. POLE 45 MILLISECONDS
- * RELEASE TIME N.O. POLE 80 MILLISECONDS
N.C. POLE 60 MILLISECONDS
- * RATINGS:
CONTACTS: 35 AMPS @ 480 VAC
RESISTIVE OR GENERAL PURPOSE
COIL: 120V 50/60 Hz
CURRENT: 171 mA
RESISTANCE: 362 Ω
VA: 20.6 WATTAGE: 10.6
- * TEMPERATURE RANGE -35° TO +85° C
- * COIL TERMINALS #6 BINDING HEAD SCREWS
TORQUE TO 7 IN-LB
- * LOAD TERMINALS 6-14 A.W.G. COMPRESSION
TYPE TORQUE TO 31.5 IN-LB
- * 3 POLE / SINGLE THROW
- * MAGNETICALLY ACTIVATED
- * MERCURY CONTACTOR

* LIFE CYCLE ENDURANCE TESTS: U.L. 508 @ 100,000 & CSA 22.2 @ 250,000 CYCLES

Contactors - Relays - Switches

J.J.S. August 17, 2012

<http://www.mdious.com>