



# MERCURY DISPLACEMENT INDUSTRIES, INC.

Post Office Box 710 - U.S. 12 East - Edwardsburg, Michigan 49112-0710

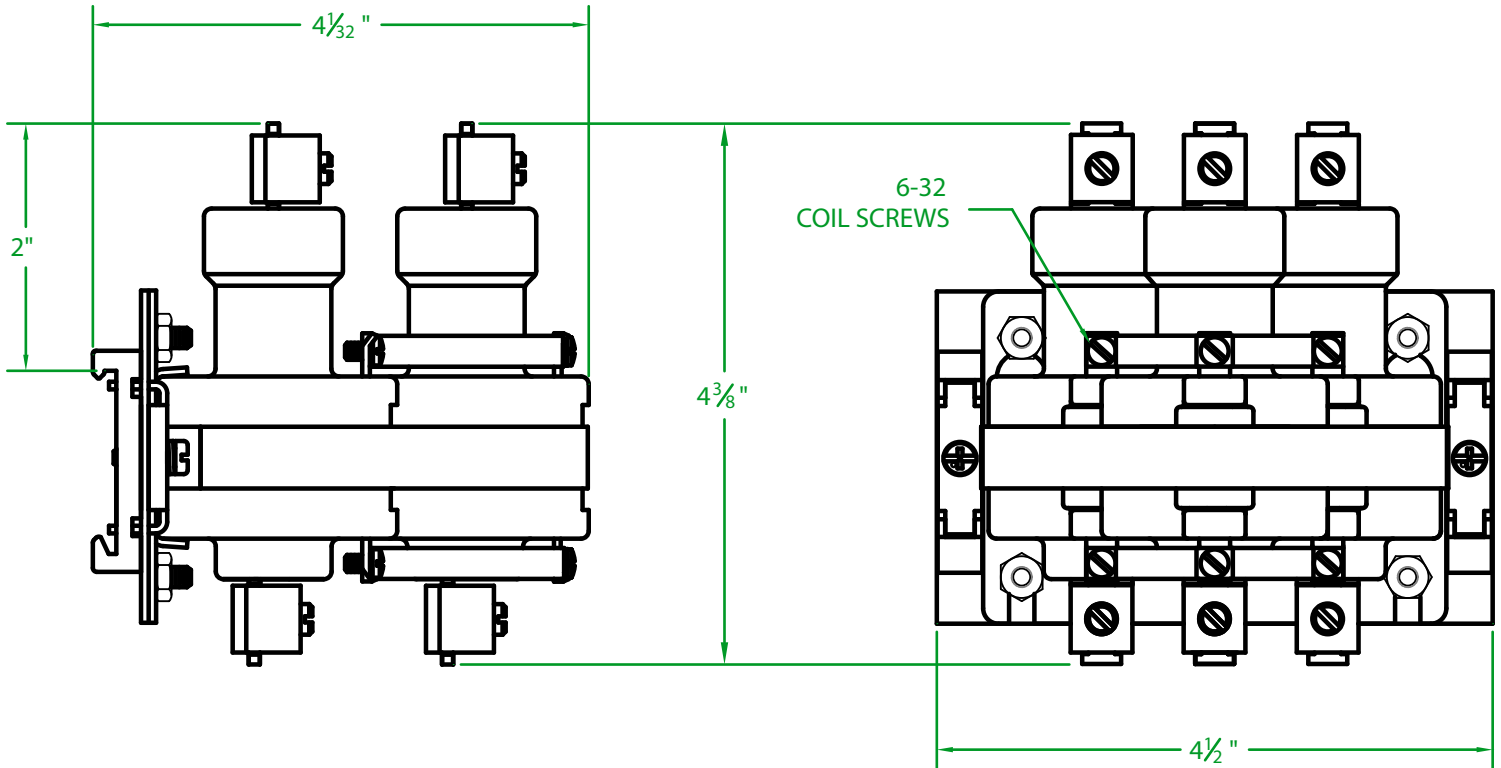
Phone (269) 663-8574 - Fax (269) 663-2924

(800) 634-4077



INDUSTRIAL CONTROL EQUIPMENT

## 360NO-120A-20



\* CONTACT RESISTANCE .002 ohms

\* DIELECTRIC WITHSTAND 2,500 VAC RMS

\* OPERATE TIME 50 MILLISECONDS

\* RELEASE TIME 80 MILLISECONDS

\* RATINGS:

CONTACTS: 60 AMPS @ 480 VAC

48 AMPS @ 600 VAC

RESISTIVE

COIL: 120V 50/60 Hz

CURRENT: 144mA

RESISTANCE: 417  $\Omega$

VA: 17.4 WATTAGE: 8.7

\* TEMPERATURE RANGE -35° TO +85° C

\* COIL TERMINALS #6 BINDING HEAD SCREWS  
TORQUE TO 7 IN-LB

\* LOAD TERMINALS 2-8 A.W.G. COMPRESSION  
TYPE TORQUE TO 45 IN-LB

\* 3 POLE / SINGLE THROW

\* MAGNETICALLY ACTIVATED

\* MERCURY CONTACTOR

\* LIFE CYCLE ENDURANCE TESTS: U.L. 508 @ 100,000 & CSA 22.2 @ 250,000 CYCLES

Contactors - Relays - Switches

J.J.S. 10-16-2014

<http://www.mdious.com>