



MERCURY DISPLACEMENT INDUSTRIES, INC.

Post Office Box 710 - U.S. 12 East - Edwardsburg, Michigan 49112-0710

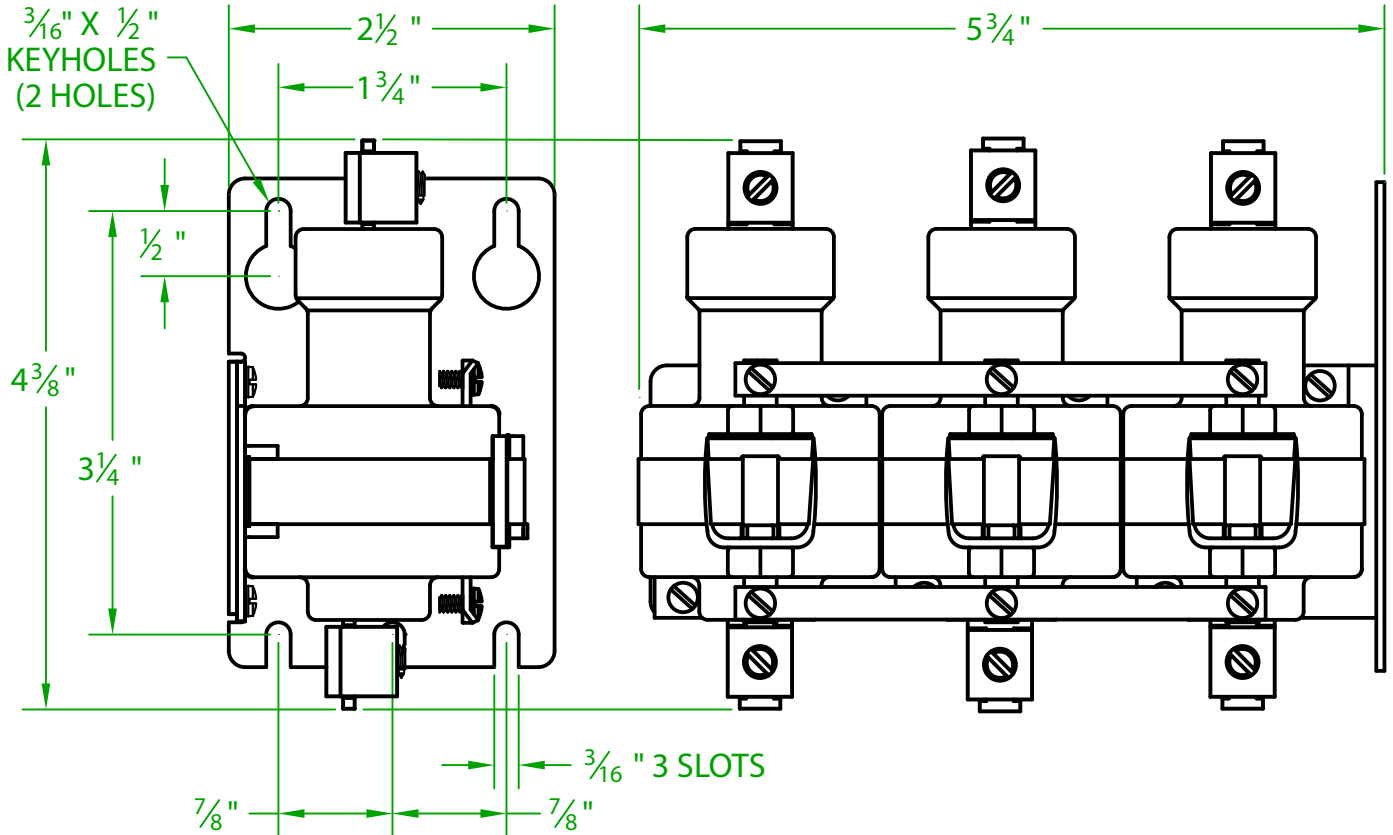
Phone (269) 663-8574 - Fax (269) 663-2924

(800) 634-4077



INDUSTRIAL CONTROL EQUIPMENT

360NO-120AN



* CONTACT RESISTANCE .002 ohms

* TEMPERATURE RANGE -35° TO +85° C

* DIELECTRIC WITHSTAND 2,500 VAC RMS

* COIL TERMINALS #6 BINDING HEAD SCREWS TORQUE TO 7 IN-LB

* OPERATE TIME 50 MILLISECONDS

* LOAD TERMINALS 2-8 A.W.G. COMPRESSION TYPE TORQUE TO 45 IN-LB

* RELEASE TIME 80 MILLISECONDS

* RATINGS:

* NARROW MOUNTING

CONTACTS: 60 AMPS @ 480 VAC RES.

* 3 POLE / SINGLE THROW

48 AMPS @ 600 VAC RES.

* MAGNETICALLY ACTIVATED

COIL: 120V 50/60 Hz

CURRENT: 144 mA

RESISTANCE: 417 Ω

* MERCURY CONTACTOR

VA: 17.4 WATTAGE: 8.7

* LIFE CYCLE ENDURANCE TESTS: U.L. 508 @ 100,00 & CSA 22.2 @ 250,000 CYCLES

Contactors - Relays - Switches

<http://www.mdius.com>