



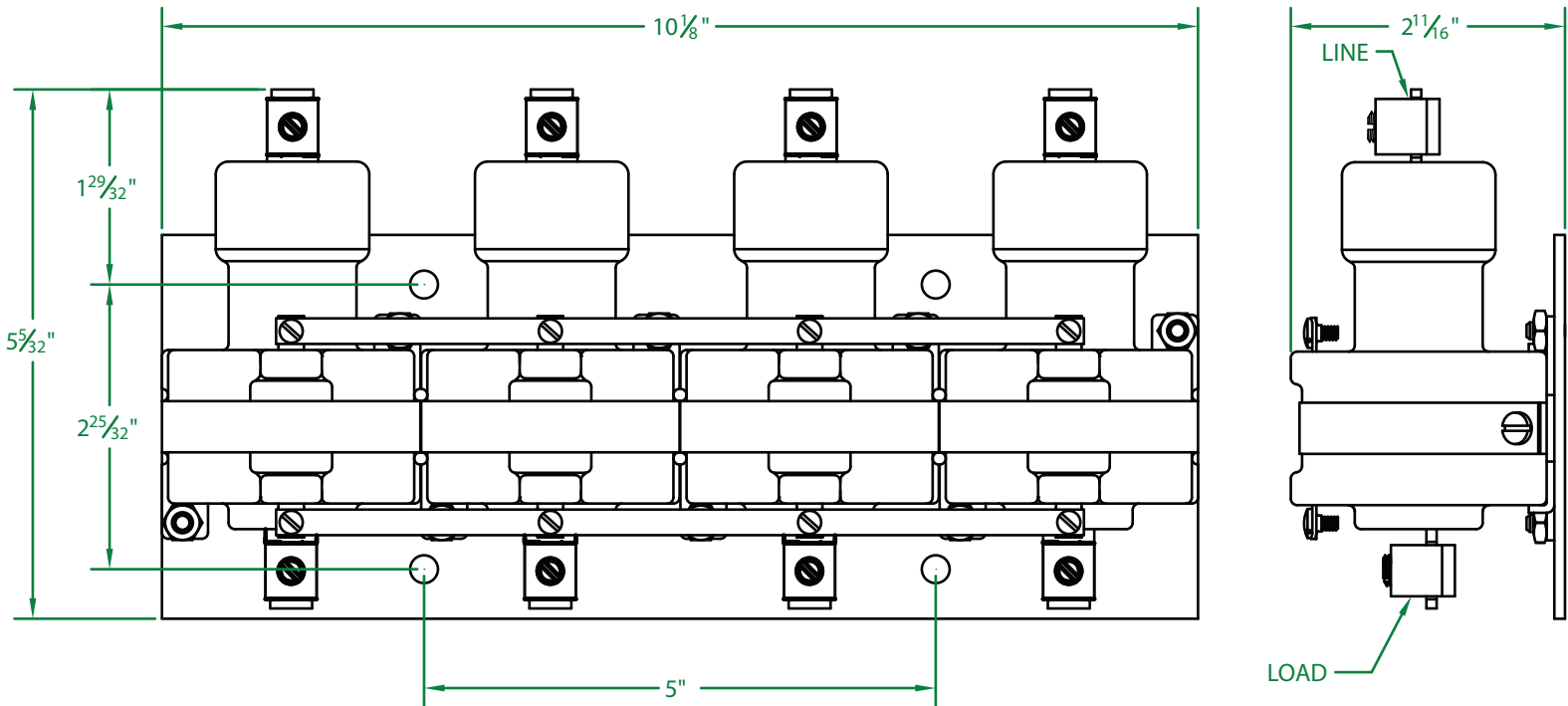
# MERCURY DISPLACEMENT INDUSTRIES, INC.

Post Office Box 710 - U.S. 12 East - Edwardsburg, Michigan 49112-0710

Phone (269) 663-8574 - Fax (269) 663-2924

(800) 634-4077

## 4100NO-220AH



\* CONTACT RESISTANCE .001 ohms

\* DIELECTRIC WITHSTAND 2,500 VAC RMS

\* OPERATE TIME 50 MILLISECONDS

\* RELEASE TIME 80 MILLISECONDS

\* RATINGS:

CONTACTS: 80 AMP @ 480 VAC

100 AMP @ 240 VAC

RESISTIVE OR GENERAL PURPOSE

COIL: 208/240V 50/60 Hz

RESISTANCE: 350  $\Omega$

CURRENT: 292 mA

VA: 64.4 WATTAGE: 30

\* TEMPERATURE RANGE -35° TO +85° C

\* COIL TERMINALS #6 BINDING HEAD SCREWS  
TORQUE TO 7 IN-LB

\* LOAD TERMINALS 2-8 AWG COMPRESSION TYPE  
TORQUE TO 45 IN-LB

\* FOUR POLE / SINGLE THROW

\* MAGNETICALLY ACTIVATED

\* MERCURY CONTACTOR

\* LIFE CYCLE ENDURANCE TESTS: U.L. 508 @ 100,00 & CSA 22.2 @ 250,000 CYCLES

Contactors - Relays - Switches