



# MERCURY DISPLACEMENT INDUSTRIES, INC.

Post Office Box 710 - U.S. 12 East - Edwardsburg, Michigan 49112-0710

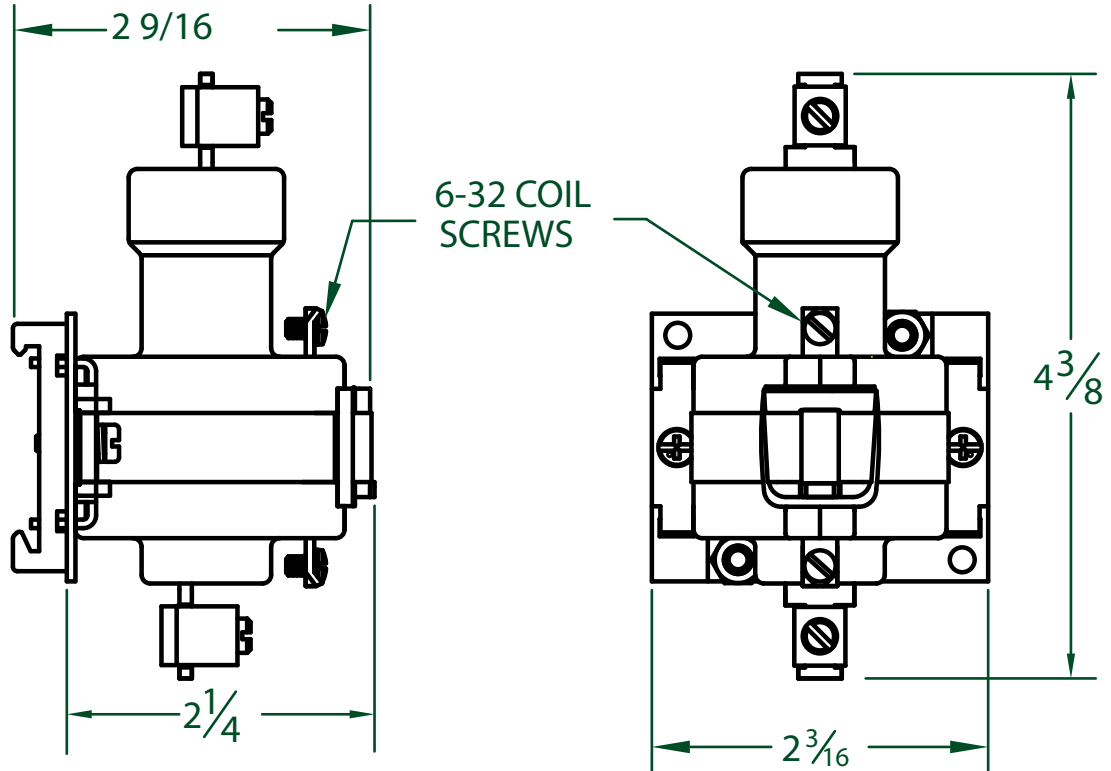
Phone (269) 663-8574 - Fax (269) 663-2924

(800) 634-4077

## 60NO-220A-17



INDUSTRIAL CONTROL EQUIPMENT



\* CONTACT RESISTANCE .002 ohms

\* TEMPERATURE RANGE -35° TO +85° C

\* DIELECTRIC WITHSTAND 2,500 VAC RMS

\* COIL TERMINALS #6 BINDING HEAD SCREWS TORQUE TO 7 IN-LB

\* OPERATE TIME 50 MILLISECONDS

\* LOAD TERMINALS 2-8 A.W.G. COMPRESSION TYPE TORQUE TO 45 IN-LB

\* RELEASE TIME 80 MILLISECONDS

\* RATINGS:

\* SINGLE POLE / SINGLE THROW

CONTACTS: 60 AMP @ 480 VAC RES.

\* MAGNETICALLY ACTIVATED

48 AMP @ 600 VAC RES.

COIL: 208/240V 50/60 Hz

CURRENT: 34 mA

RESISTANCE: 4,800 Ω

VA: 5.9 WATTAGE: 3.5

\* MERCURY CONTACTOR

\* LIFE CYCLE ENDURANCE TESTS: U.L. 508 @ 100,00 & CSA 22.2 @ 250,000 CYCLES

Contactors - Relays - Switches

J.J.S. May 14, 2015

<http://www.mdius.com>