



MERCURY DISPLACEMENT INDUSTRIES, INC.

Post Office Box 710 - U.S. 12 East - Edwardsburg, Michigan 49112-0710

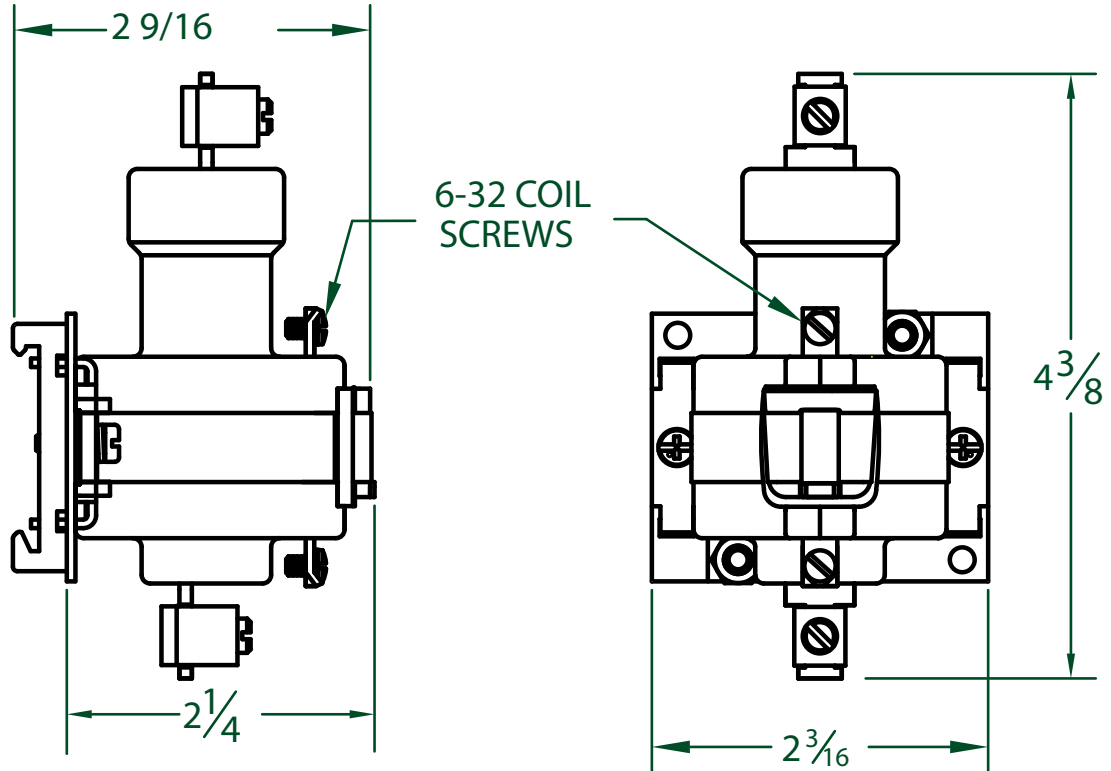
Phone (269) 663-8574 - Fax (269) 663-2924

(800) 634-4077

60NO-220AH-17



INDUSTRIAL CONTROL EQUIPMENT



* CONTACT RESISTANCE .002 ohms

* TEMPERATURE RANGE -35° TO +85° C

* DIELECTRIC WITHSTAND 2,500 VAC RMS

* COIL TERMINALS #6 BINDING HEAD SCREWS
TORQUE TO 7 IN-LB

* OPERATE TIME 50 MILLISECONDS

* LOAD TERMINALS 2-8 A.W.G. COMPRESSION
TYPE TORQUE TO 45 IN-LB

* RELEASE TIME 80 MILLISECONDS

* RATINGS:

* SINGLE POLE / SINGLE THROW

CONTACTS: 60 AMP @ 480 VAC
RESISTIVE OR G.P.

* MAGNETICALLY ACTIVATED

COIL: 208/240V 50/60 Hz

CURRENT: 34 mA

* MERCURY CONTACTOR

RESISTANCE: 4,800 Ω

* LIFE CYCLE ENDURANCE TESTS: U.L. 508 @ 100,00 & CSA 22.2 @ 250,000 CYCLES

Contactors - Relays - Switches

J.J.S. May 14, 2015

<http://www.mdious.com>