



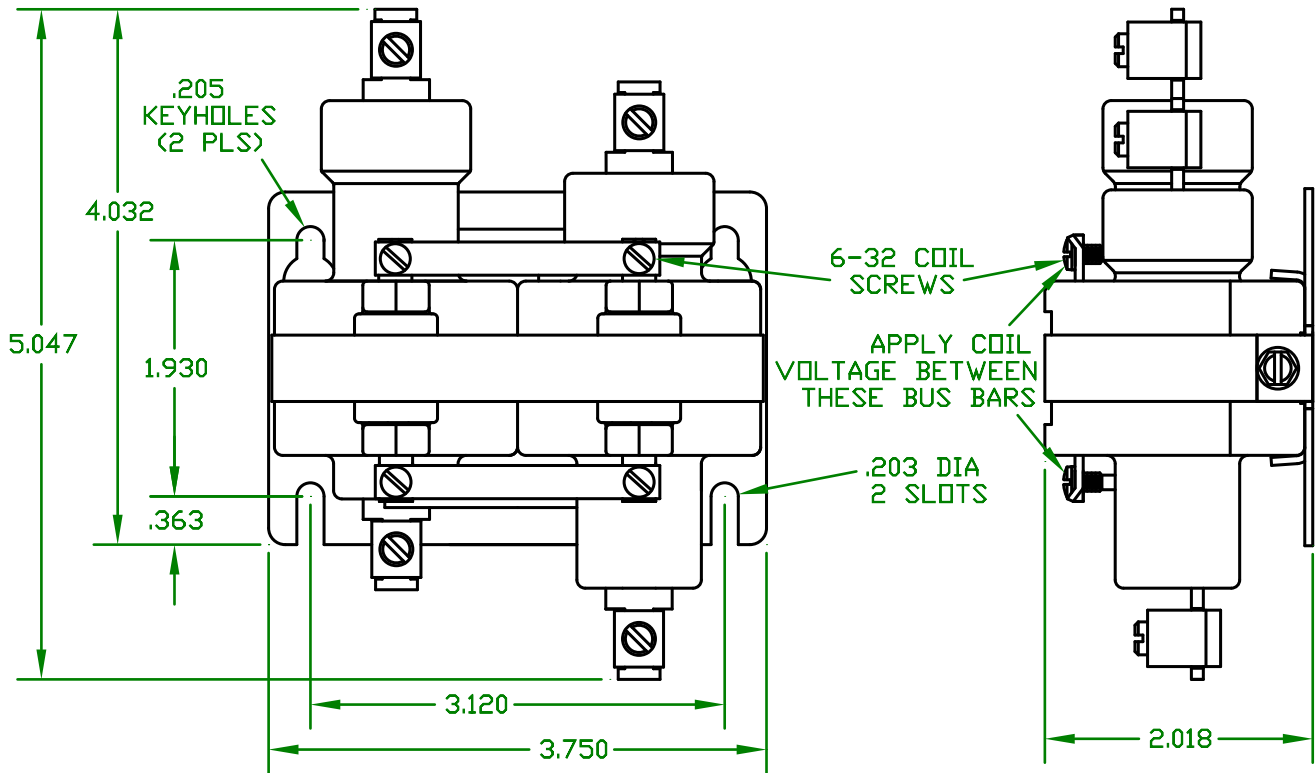
MERCURY DISPLACEMENT INDUSTRIES, INC.

Post Office Box 710 - U.S. 12 East - Edwardsburg, Michigan 49112-0710

Phone (269) 663-8574 - Fax (269) 663-2924

(800) 634-4077

60NOC-120AH-18



* CONTACT RESISTANCE .003 ohms

* OPERATE TIME N.O. POLE 50 MILLISECONDS
N.C. POLE 45 MILLISECONDS

* RELEASE TIME N.O. POLE 80 MILLISECONDS
N.C. POLE 60 MILLISECONDS

* RATINGS:

CONTACTS: 35 AMP @ 480 VAC

RESISTIVE OR GEN. PUPOSE

COIL: 120V 50/60 Hz

CURRENT: 272 mA

RESISTANCE: 509 Ω

VA: 14.1 WATTAGE: 7

* TEMPERATURE RANGE -35° TO +85° C

* COIL TERMINALS #6 BINDING HEAD SCREWS
TORQUE TO 7 IN-LB

* LOAD TERMINALS 2-8 A.W.G. COMPRESSION
TYPE TORQUE TO 45 IN-LB

* DIELECTRIC WITHSTAND 2,500 VAC RMS

* TWO POLE / SINGLE THROW

* MAGNETICALLY ACTIVATED

* MERCURY CONTACTOR

* LIFE CYCLE ENDURANCE TESTS: U.L. 508 @ 100,00 & CSA 22.2 @ 250,000 CYCLES

Contactors - Relays - Switches

<http://www.mdious.com>

J.J.S. November 20, 2014