



# MERCURY DISPLACEMENT INDUSTRIES, INC.

Post Office Box 710 - U.S. 12 East - Edwardsburg, Michigan 49112-0710

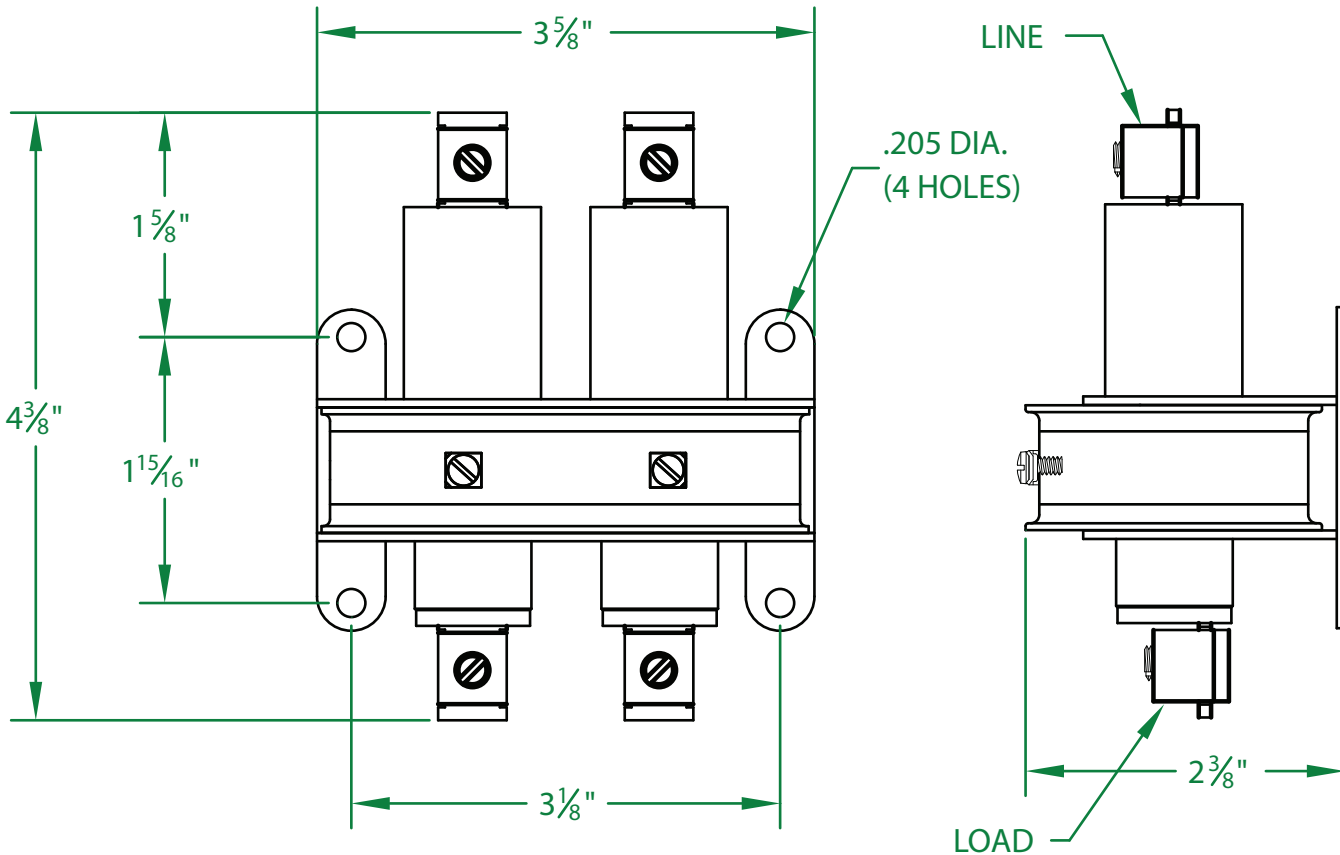
Phone (269) 663-8574 - Fax (269) 663-2924

(800) 634-4077



INDUSTRIAL CONTROL EQUIPMENT

## L260NO-24D



\* CONTACT RESISTANCE .002 ohms

\* DIELECTRIC WITHSTAND 2,500 VAC RMS

\* OPERATE TIME 50 MILLISECONDS

\* RELEASE TIME 80 MILLISECONDS

\* RATINGS:

CONTACTS: 48 AMP @ 600 VAC  
60 AMP @ 480 VAC  
RESISTIVE

COIL: 24 V.D.C.

RESISTANCE: 92 Ω

CURRENT: 260 mA

VA: 6.2 WATTAGE: 6.2

\* TEMPERATURE RANGE -35° TO +85° C

\* COIL TERMINALS #6 BINDING HEAD SCREWS  
TORQUE TO 7 IN-LB

\* LOAD TERMINALS 2-8 AWG COMPRESSION TYPE  
TORQUE TO 45 IN-LB

\* SINGLE POLE / SINGLE THROW

\* MAGNETICALLY ACTIVATED

\* MERCURY CONTACTOR

\* LIFE CYCLE ENDURANCE TESTS: U.L. 508 @ 100,00 & CSA 22.2 @ 250,000 CYCLES

Contactors - Relays - Switches

<http://www.mdious.com>