



MERCURY DISPLACEMENT INDUSTRIES, INC.

Post Office Box 710 - U.S. 12 East - Edwardsburg, Michigan 49112-0710

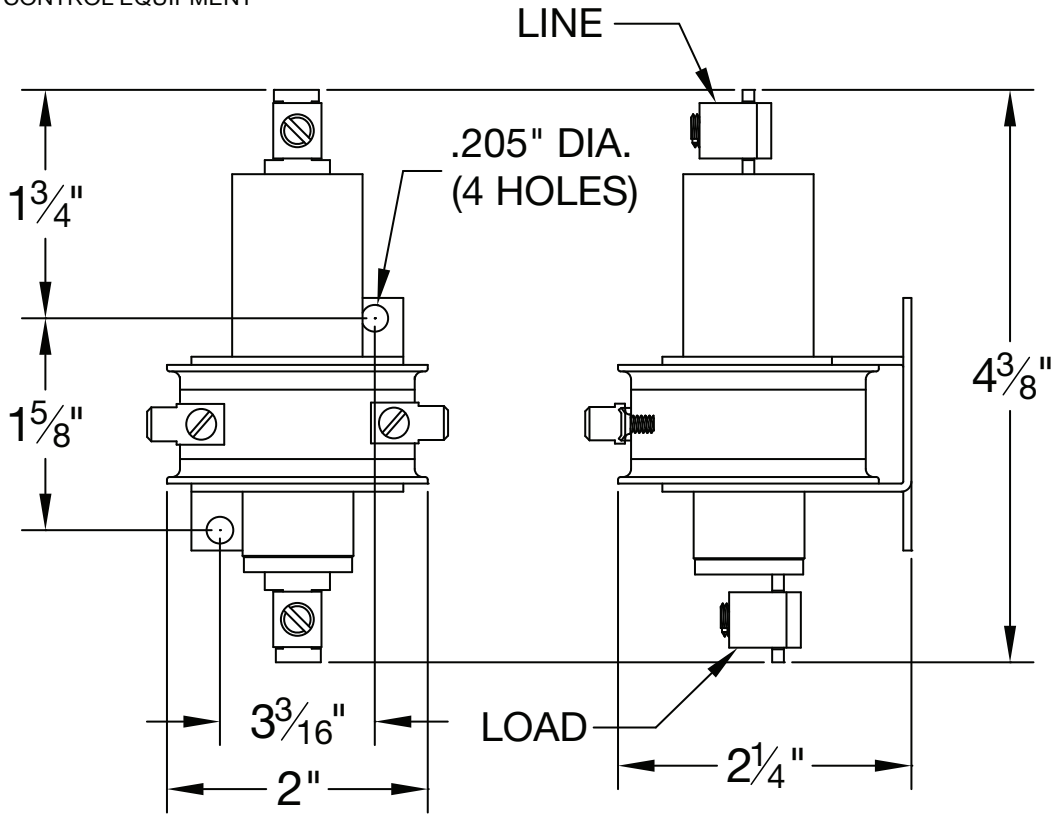
Phone (269) 663-8574 - Fax (269) 663-2924

(800) 634-4077



L35NO-24AF

INDUSTRIAL CONTROL EQUIPMENT



- * CONTACT RESISTANCE .003 ohms
- * DIELECTRIC WITHSTAND 2,500 VAC RMS
- * OPERATE TIME 50 MILLISECONDS
- * RELEASE TIME 80 MILLISECONDS
- * RATINGS:
 - CONTACTS: 35 AMP @ 600 VAC RESISTIVE
 - COIL: 24 V 50/60 Hz
 - CURRENT: 325 mA
 - RESISTANCE: 28 Ω
 - VA: 7.8 WATTAGE: 3.0
- * TEMPERATURE RANGE -35° TO +85° C
- * COIL TERMINALS 1/4" QUICK CONNECT
- * LOAD TERMINALS 4-14 A.W.G. COMPRESSION TYPE TORQUE TO 31.5 IN-LB
- * SINGLE POLE / SINGLE THROW
- * MAGNETICALLY ACTIVATED
- * MERCURY CONTACTOR
- * LIFE CYCLE ENDURANCE TESTS: U.L. 508 @ 100,00 & CSA 22.2 @ 250,000 CYCLES