



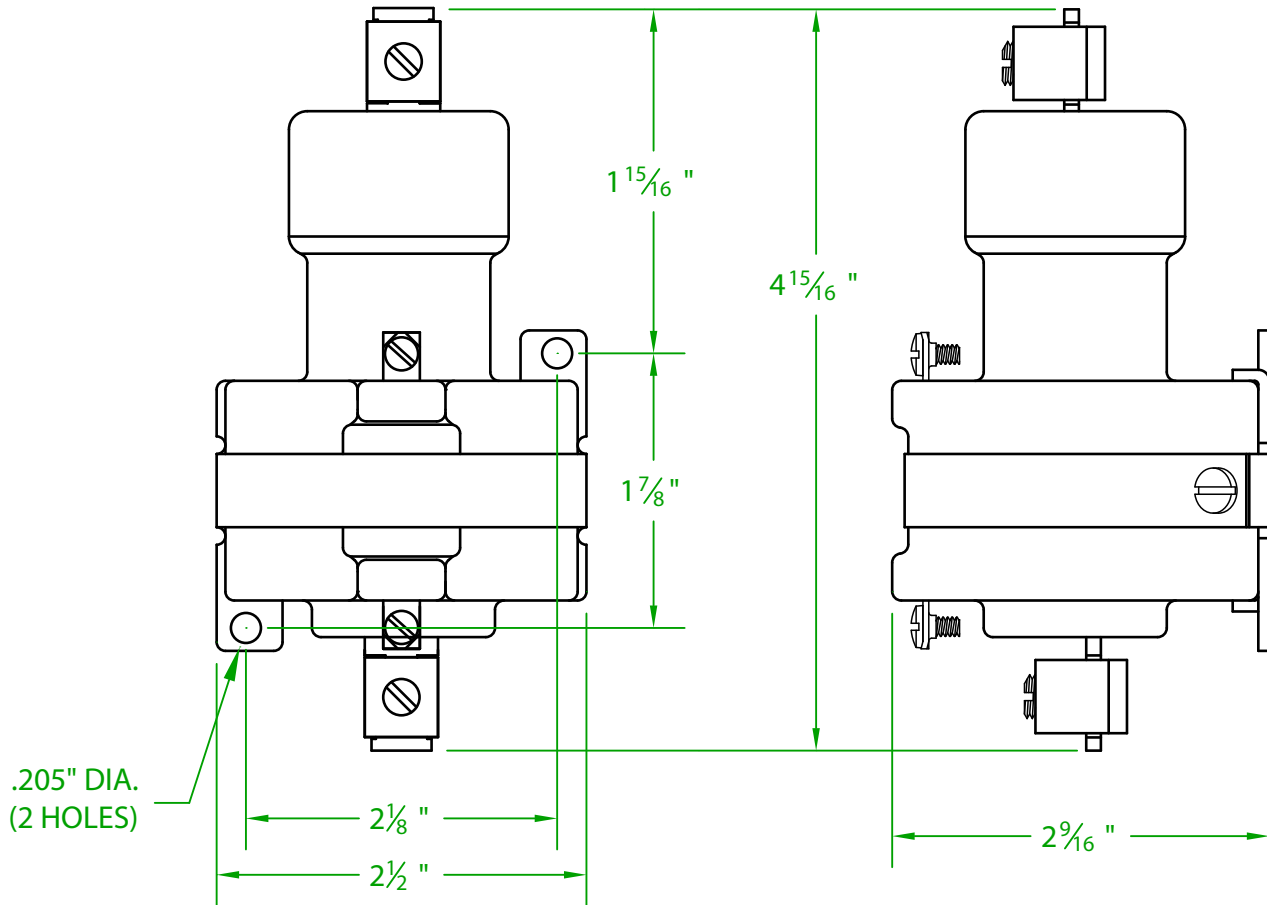
MERCURY DISPLACEMENT INDUSTRIES, INC.

Post Office Box 710 - U.S. 12 East - Edwardsburg, Michigan 49112-0710

Phone (269) 663-8574 - Fax (269) 663-2924

(800) 634-4077

SP-1097-120A



- * CONTACT RESISTANCE .001 ohms
- * DIELECTRIC WITHSTAND 8,000 VAC RMS
- * OPERATE TIME 50 MILLISECONDS
- * RELEASE TIME 80 MILLISECONDS
- * RATINGS:

CONTACTS: 3 AMPS @ 5000 VAC

COIL: 120 V 50/60 HZ CURRENT: 158 MA

RESISTANCE: 380 Ω VA: 19

WATTAGE: 9.5

- * TEMPERATURE RANGE -35° TO +85° C
- * COIL TERMINALS #6 BINDING HEAD SCREWS
TORQUE TO 7 IN-LB
- * LOAD TERMINALS 2-8 A.W.G. COMPRESSION
TYPE TORQUE TO 45 IN-LB
- * SINGLE POLE / SINGLE THROW /
NORMALLY OPEN
- * MAGNETICALLY ACTIVATED
- * MERCURY CONTACTOR

Contactors - Relays - Switches