



MERCURY DISPLACEMENT INDUSTRIES, INC.

Post Office Box 710 - U.S. 12 East - Edwardsburg, Michigan 49112-0710

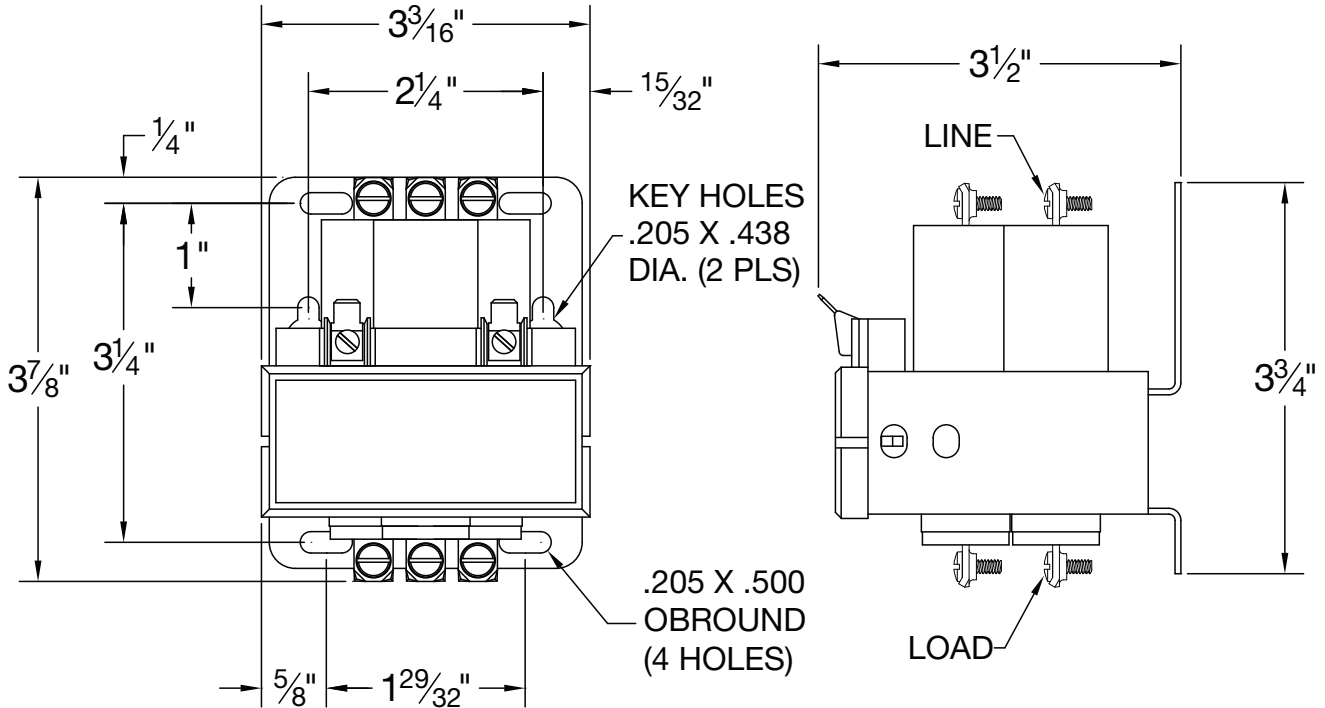
Phone (269) 663-8574 - Fax (269) 663-2924

(800) 634-4077



SP-1187-24A

INDUSTRIAL CONTROL EQUIPMENT



- * CONTACT RESISTANCE .003 ohms
- * DIELECTRIC WITHSTAND 2,500 VAC RMS
- * OPERATE TIME 50 MILLISECONDS
- * RELEASE TIME 70 MILLISECONDS
- * RATINGS:
 CONTACTS: 30 AMPS @ 600 VAC
 RESISTIVE
 COIL: 24V 50/60 Hz
 CURRENT: 815mA
 RESISTANCE: 7.6Ω
 VA: 19.6 WATTAGE: 2.8
- * TEMPERATURE RANGE -35° TO +85° C
- * COIL TERMINALS 1/4" MALE DISCONNECTS
- * LOAD TERMINALS #8 BINDING HEAD SCREWS
- * 3 POLE / SINGLE THROW
- * MAGNETICALLY ACTIVATED
- * MERCURY CONTACTOR

* LIFE CYCLE ENDURANCE TESTS: U.L. 508 @ 100,00 & CSA 22.2 @ 250,000 CYCLES

Contactors - Relays - Switches

<http://www.mdious.com>