



# MERCURY DISPLACEMENT INDUSTRIES, INC.

Post Office Box 710 - U.S. 12 East - Edwardsburg, Michigan 49112-0710

Phone (269) 663-8574 - Fax (269) 663-2924

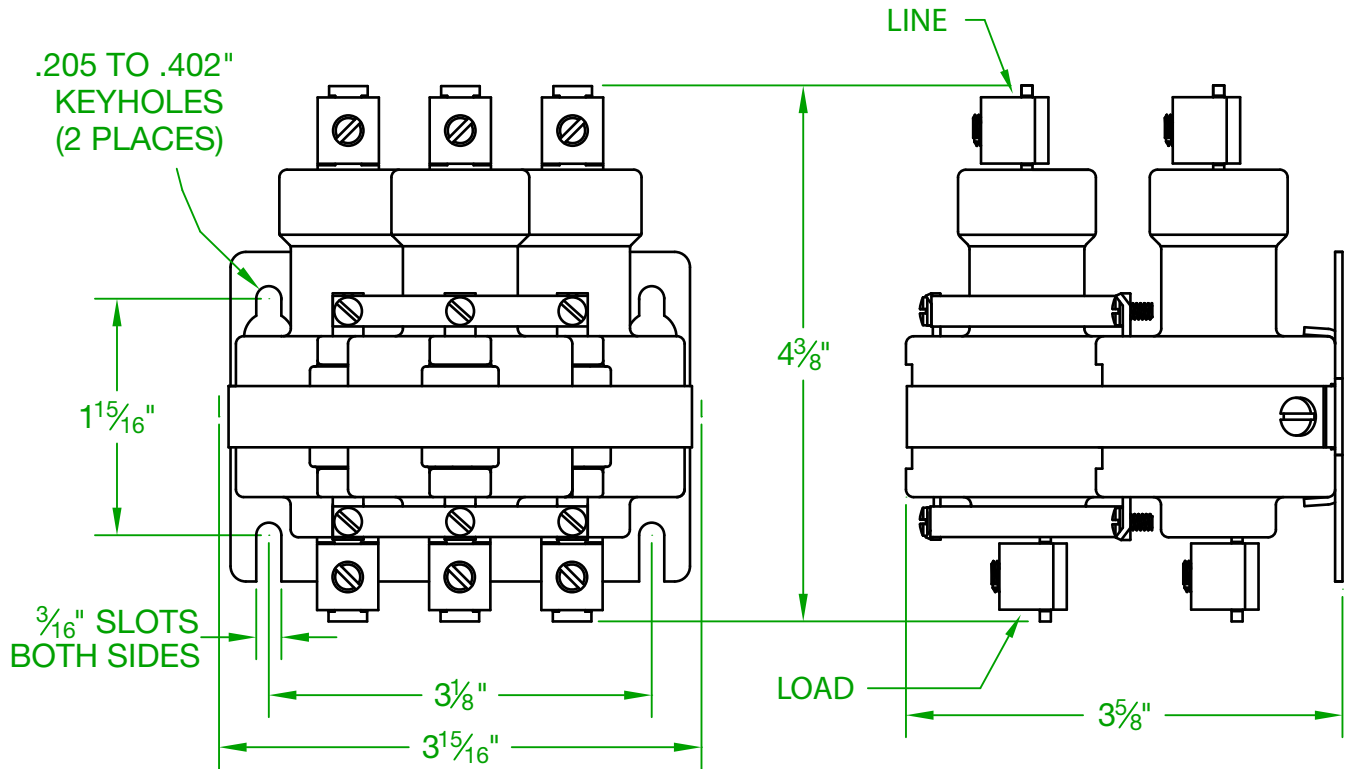
(800) 634-4077



INDUSTRIAL CONTROL EQUIPMENT

## SP-1293-220A

Blodgett P/N: R2324



\* CONTACT RESISTANCE .002 ohms

\* TEMPERATURE RANGE -35° TO +85° C

\* DIELECTRIC WITHSTAND 2,500 VAC RMS

\* COIL TERMINALS #6 BINDING HEAD SCREWS TORQUE TO 7 IN-LB

\* OPERATE TIME 50 MILLISECONDS

\* LOAD TERMINALS 1-8 A.W.G. COMPRESSION TYPE TORQUE TO 45 IN-LB

\* RELEASE TIME 80 MILLISECONDS

\* RATINGS:

\* 3 POLE / SINGLE THROW

CONTACTS: 60 AMPS @ 480 VAC RES.  
48 AMPS @ 600 VAC RES.

\* MAGNETICALLY ACTIVATED

COIL: 208-240V 50/60 Hz

CURRENT: 57mA

RESISTANCE: 2,633Ω

\* MERCURY CONTACTOR

VA: 15.9 WATTAGE: 8.7

\* LIFE CYCLE ENDURANCE TESTS: U.L. 508 @ 100,000 & CSA 22.2 @ 250,000 CYCLES

Contactors - Relays - Switches

J.J.S. April 01, 2015

<http://www.mdious.com>