



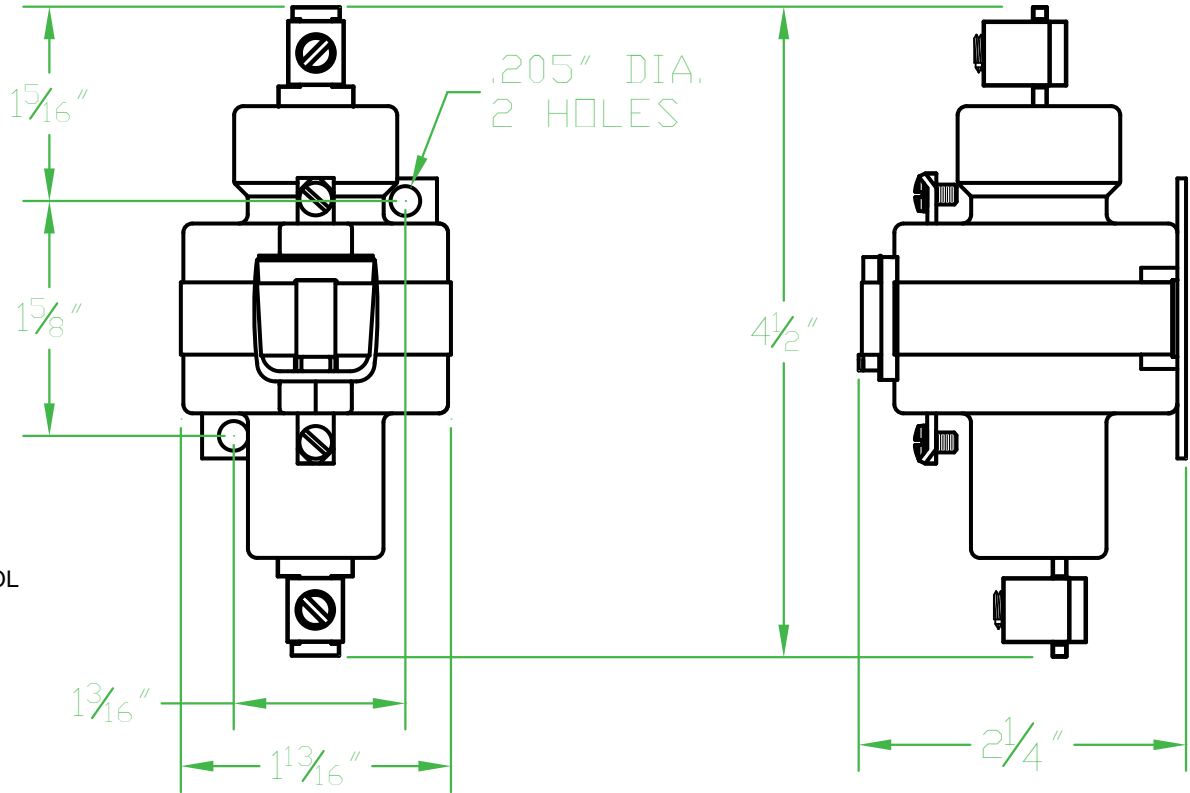
MERCURY DISPLACEMENT INDUSTRIES, INC.

Post Office Box 710 - U.S. 12 East - Edwardsburg, Michigan 49112-0710

Phone (269) 663-8574 - Fax (269) 663-2924

(800) 634-4077

SP-1477-24D



INDUSTRIAL CONTROL EQUIPMENT



* CONTACT RESISTANCE .003 ohms

* BREAKDOWN VOLTAGE VRMS MIN. ACROSS CONTACTS: 5000

* OPERATE TIME 30 MILLISECONDS

* RELEASE TIME 35 MILLISECONDS

* RATINGS:

CONTACTS: 35 AMP @ 480 VAC
RESISTIVE OR GEN. PURPOSE

COIL: 24 V.D.C.

CURRENT: 148 mA

RESISTANCE: 176 Ω

VA: 3.6 WATTAGE: 3.6

* TEMPERATURE RANGE -35° TO +85° C

* COIL TERMINALS #6 BINDING HEAD SCREWS
TORQUE TO 7 IN-LB

* LOAD TERMINALS 4-14 A.W.G. COMPRESSION
TYPE TORQUE TO 31.5 IN-LB

* SINGLE POLE / SINGLE THROW

* MAGNETICALLY ACTIVATED

* MERCURY CONTACTOR

* NORMALLY CLOSED

* LIFE CYCLE ENDURANCE TESTS: U.L. 508 @ 100,00 & CSA 22.2 @ 250,000 CYCLES

Contactors - Relays - Switches

J.J.S. July 19, 2016
REV. 7-29-16

<http://www.mdious.com>