



MERCURY DISPLACEMENT INDUSTRIES, INC.

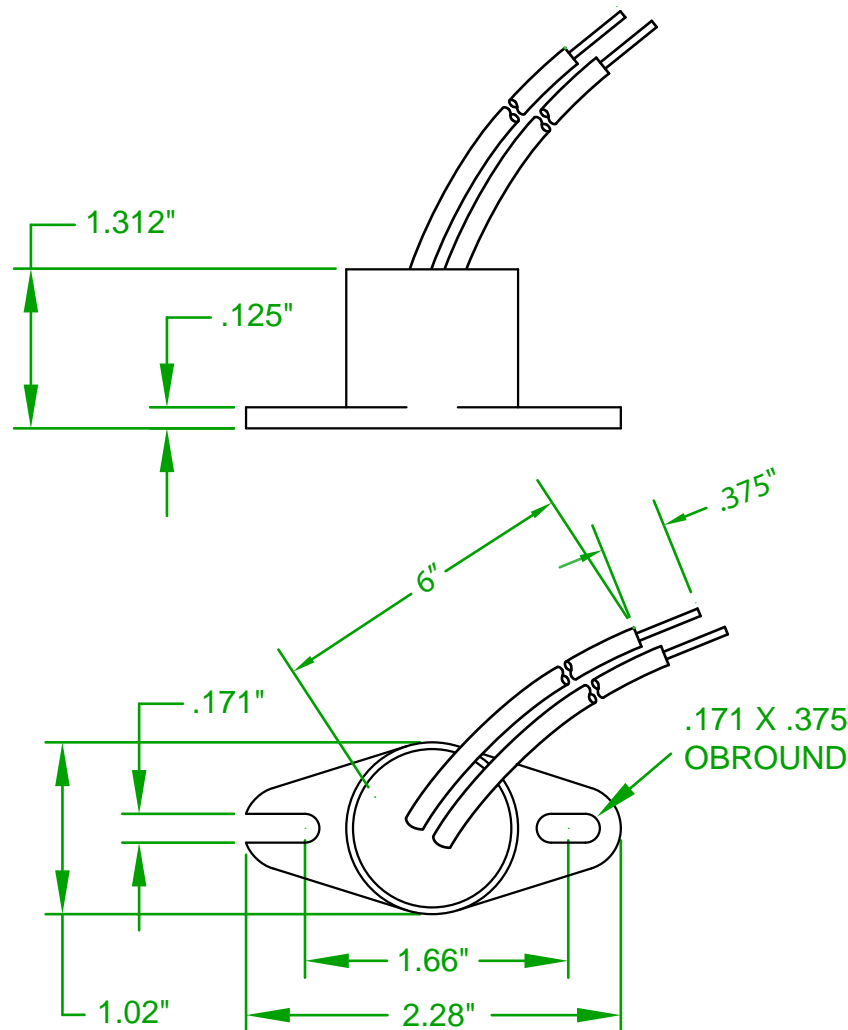
Post Office Box 710 - U.S. 12 East - Edwardsburg, Michigan 49112-0710

Phone (269) 663-8574 - Fax (269) 663-2924

(800) 634-4077

BTOC-.25C-L1

MECHANICAL TIP-OVER - NORMALLY CLOSED



- ENCAPSULATED IN VALOX
- 20 AWG 105 STRAND (AWM 150°C STYLE 3123) SILICONE RUBBER
- 0.25 AMPS @ 60 VAC - 3 VA MAX.
- CONTACTS OPEN AT 45° ±10° OFF VERTICAL IN ANY DIRECTION

Contactors - Relays - Switches