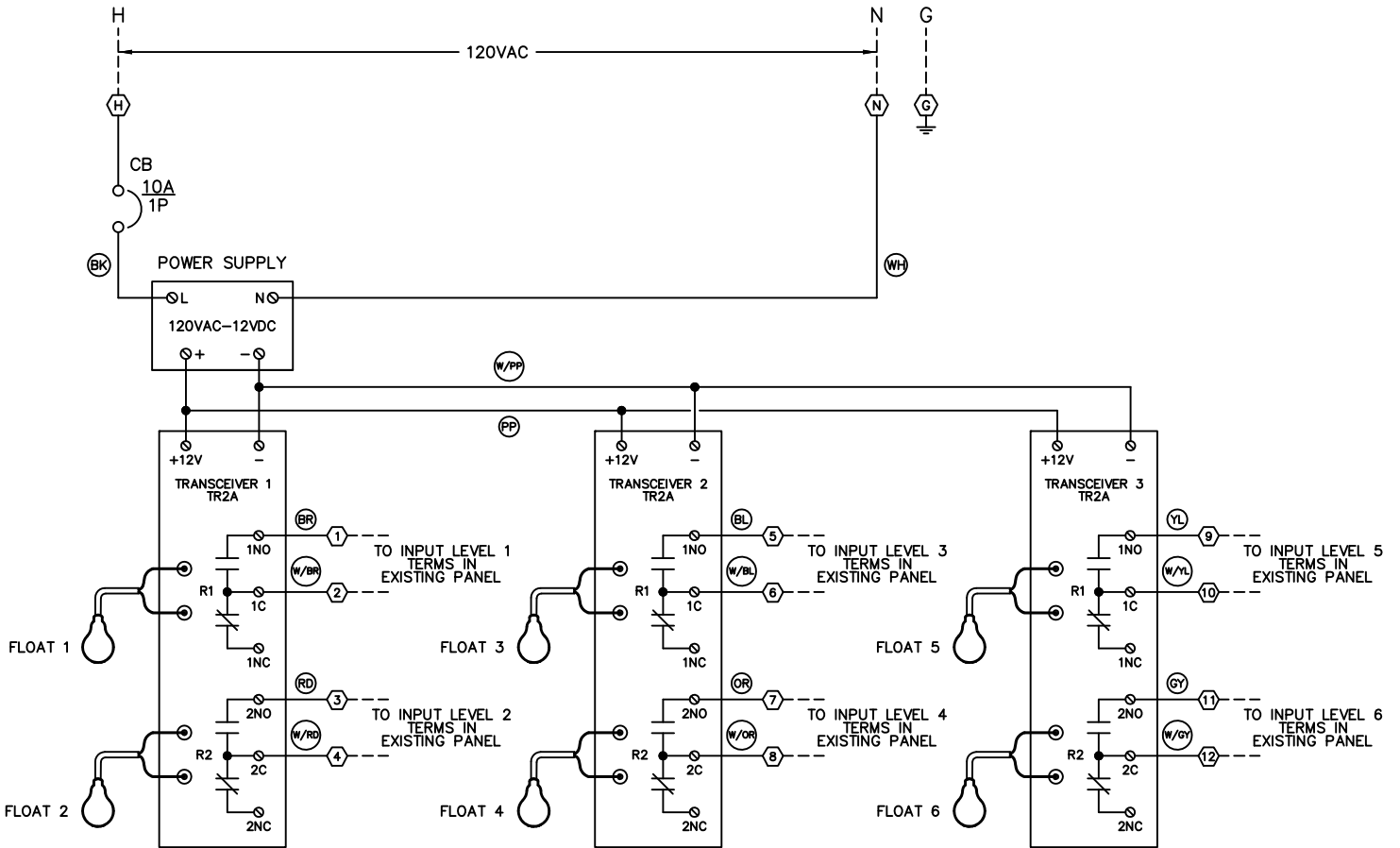

COX

Research and Technology, Inc.

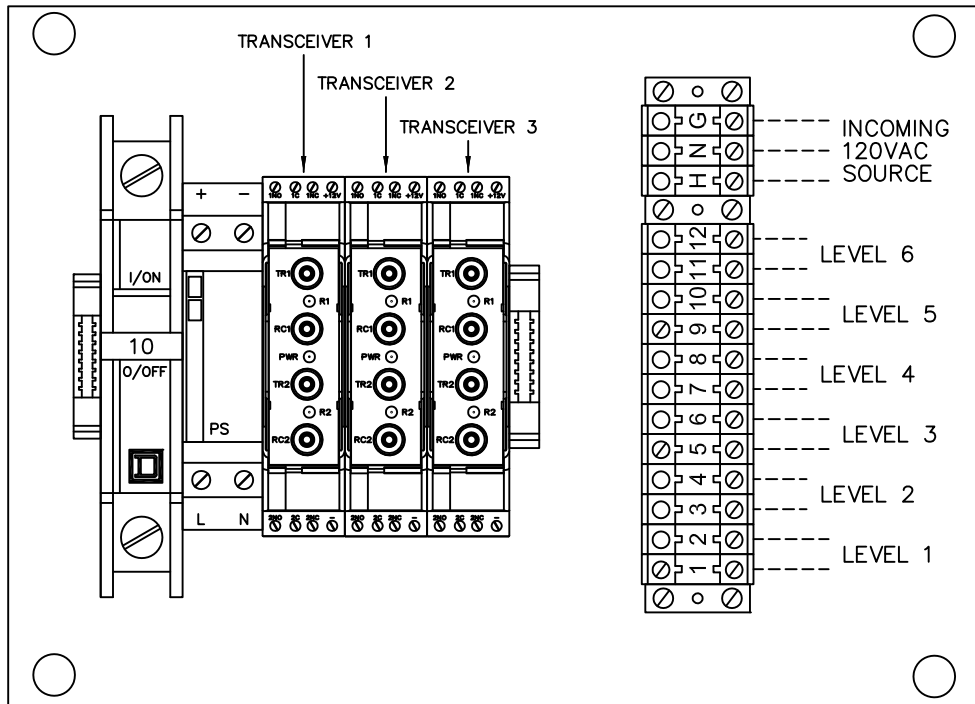
OPTI-OA6A
OPTI-FLOAT[®] LEVEL DETECTOR
6 FLOAT OPEN ASSEMBLY

Cox Research and Technology, Inc.
PO Box 77808
Baton Rouge, LA. 70879
(225) 756-3271 Fax (225) 755-1030

OPTI-OA6A



Drawing Title		OPTI-OA6		TR2 REPLACE TO TR2A		02/26/19		C.C.	
CONTROL DIAGRAM		REFERENCE DRAWING		NO.		REVISION - LOCATION		ECN DATE BY	
		S/N		Sales Engineer C.C.		Application Engineer C.C.		DRAWN BY: BMF APPROVED DATE:	
Project Title		COX		P.O. Box 77808 Baton Rouge, LA 70879		PURCHASE ORDER NUMBER			
OPTI-OA6A		Research and Technology, Inc.		Ph. (225) 756-3271 Fax (225) 755-1030		DRAWING NUMBER OPTI-OA6A			
						SHEET NUMBER 1			
DATE: 01/30/19		SCALE: N.T.S.							

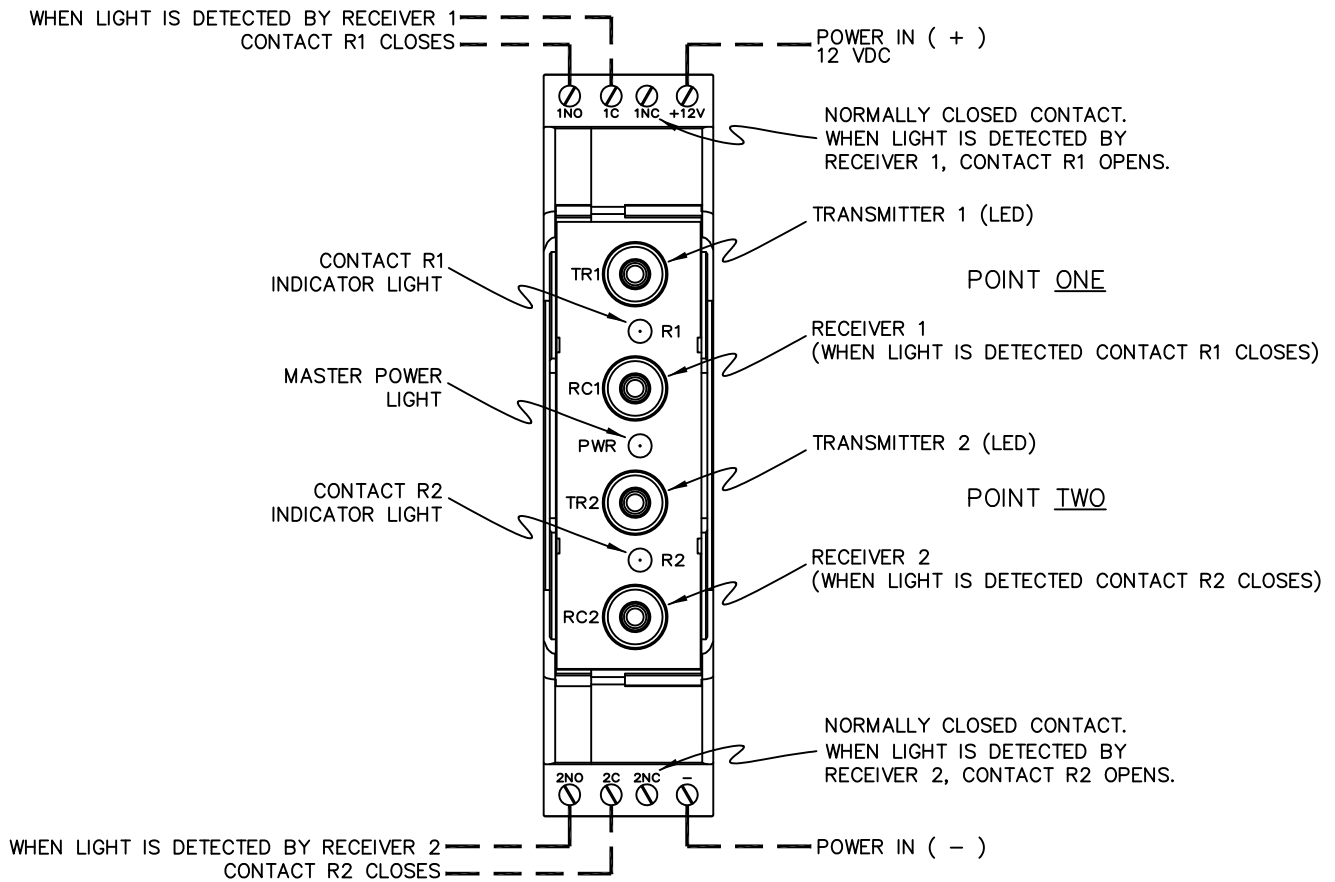


3 DUAL TRANSCEIVERS (FOR 6 FLOATS) 7"W X 4.5"H X 4.75"D
 RECOMMENDED CLEARANCE FOR CABLE ENTRY IN FRONT OF TRANSCEIVER IS 1" MINIMUM.
 FOR PROPER OPERATION INCOMING GROUND REQUIRED
 KEEP PANEL POWERED OFF UNTIL OPTI-FLOAT ARE COMPLETELY CONNECTED

Drawing Title		OPTI-OA6		TR2 REPLACE TO TR2A		02/26/19		C.C.		
EXTERNAL CONNECTIONS		REFERENCE DRAWING		NO.		REVISION - LOCATION		ECN DATE BY		
DATE: 01/30/19	S/N		Sales Engineer C.C.		Application Engineer C.C.		DRAWN BY: BMF		APPROVED BY: DATE:	
Project Title		COX		P.O. Box 77808 Baton Rouge, LA 70879		PURCHASE ORDER NUMBER				
OPTI-OA6A		Research and Technology, Inc.		Ph. (225) 756-3271 Fax (225) 755-1030		DRAWING NUMBER OPTI-OA6A				
SCALE: N.T.S.							SHEET NUMBER		2	

The OPTI-FLOAT[®] TR2A Transceiver

Release Date
January 2019



	Drawing Title						
	TRANSCEIVER	OPTI-OA6	TR2 REPLACE TO TR2A	02/26/19	C.C.		
DATE: 01/30/19		REFERENCE DRAWING	NO.	REVISION - LOCATION	ECN	DATE	BY
		S/N	Sales Engineer C.C.	Application Engineer C.C.	DRAWN BY: BMF	APPROVED BY: DATE:	
	Project Title	COX Research and Technology, Inc.		P.O. Box 77808 Baton Rouge, LA 70879	PURCHASE ORDER NUMBER		
	OPTI-OA6A			Ph. (225) 756-3271 Fax (225) 755-1030	DRAWING NUMBER OPTI-OA6A		
SCALE: N.T.S.					SHEET NUMBER 3		