

FEATURES/BENEFITS

- High Efficient Motor With Upper & Lower Ball Bearings/ Runs Cooler & Last Longer
- Vortex Impeller/ Helps Prevent Clogging
- Inboard Seal-Rotating Components Of Seal Are In The Motor Housing, Lubricated By The Motor Oil/ Seal Will Last Longer If Pump Runs Dry, Hair And Debris Cannot Wrap Around Seal Components
- Secondary Exclusion Seal/ Keeps Debris From Entering Seal Cavity
- Sealed Entry-Replaceable Power Cord/ Easy To Replace In The Field, Prevents Water From Entering The Motor Housing Through A Cut Power Cord (Up to 50' Available)
- Piggy-Back Switch Design/Defective Switches Can Be Diagnosed By Phone; Pump Can Be Operated Manually by Overriding The Switch
- Every Pump Is Tested In Water/Ensures That The Pump Meets Head & Flow Requirements

APPLICATIONS

- Dewatering, Elevator Pits, Septic Systems, Residential & Commercial Developments, STEP Systems



Add a V to the part number

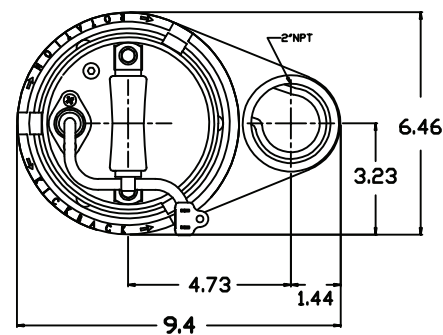
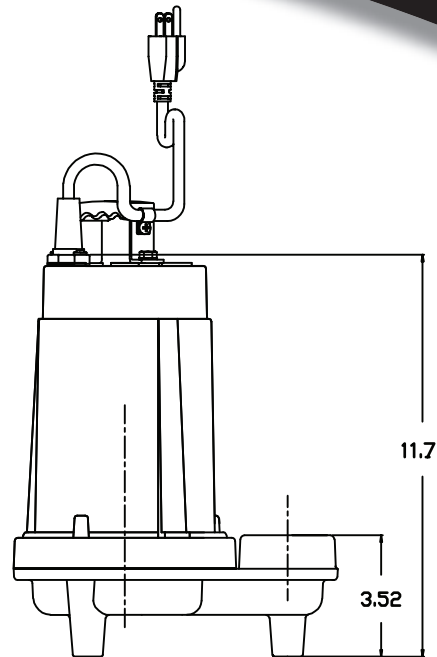
Add a H to the part number



CHAMPION PUMP - PUMP PERFORMANCE CURVE



Discharge	2" NPT. Vertical
Solids Handling	3/4"
Liquid Temperature	140 Degrees F. (Intermittent)
Motor Housing	Cast Iron
Volute	Cast Iron
Seal Plate	Cast Iron
Impeller	Cast Iron/Vortex
Shaft	Stainless Steel
Shaft Seal	Inboard Mechanical With Secondary Exclusion Seal Carbon- Rotating Face Ceramic- Stationary Face Buna-N-Elastomer 300 Series Stainless Steel- Hardware
Bearing (Upper & Lower)	Single Row, Ball, Oil Lubricated
Hardware	300 Series Stainless Steel
Square Rings	Buna-N
Cord	(UL/CUL) Listed 16 AWG, Type SJTW 20' Length Standards. Other Lengths up to 50' Available
Cord Entry	Compression Grommet- Outer Jacket Seal, Quick Disconnect Pin Terminals
Motor (Single Phase)	4/10 & 1/2 HP, 3450 RPM, 60Hz NEMA L Includes Overload Protection In The Motor. Oil Filled, Class B Permanent Split Capacitor
Weight	35lbs (Manual)



Model	HP	Volts	Phase	Amps	Cord Length	Switch
CPE4-12 • CPE5-12	4/10 • 1/2	115	1	6.6 • 8.5	20	Manual
CPE4-22 • CPE5-22	4/10 • 1/2	230	1	3.3 • 4.3	20	Manual
CPE4-13 • CPE5-13	4/10 • 1/2	115	1	6.6 • 8.5	30	Manual
CPE4-15 • CPE5-15	4/10 • 1/2	115	1	6.6 • 8.5	50	Manual
CPE4-12 H • CPE5-12 H	4/10 • 1/2	115	1	6.6 • 8.5	20	Float
CPE4-22 H • CPE5-22 H	4/10 • 1/2	230	1	3.3 • 4.3	20	Float
CPE4-13 H • CPE5-13 H	4/10 • 1/2	115	1	6.6 • 8.5	30	Float
CPE4-12 V • CPE5-12 V	4/10 • 1/2	115	1	6.6 • 8.5	20	Vertical Float
CPE4-22 V • CPE5-22 V	4/10 • 1/2	230	1	3.3 • 4.3	20	Vertical Float